

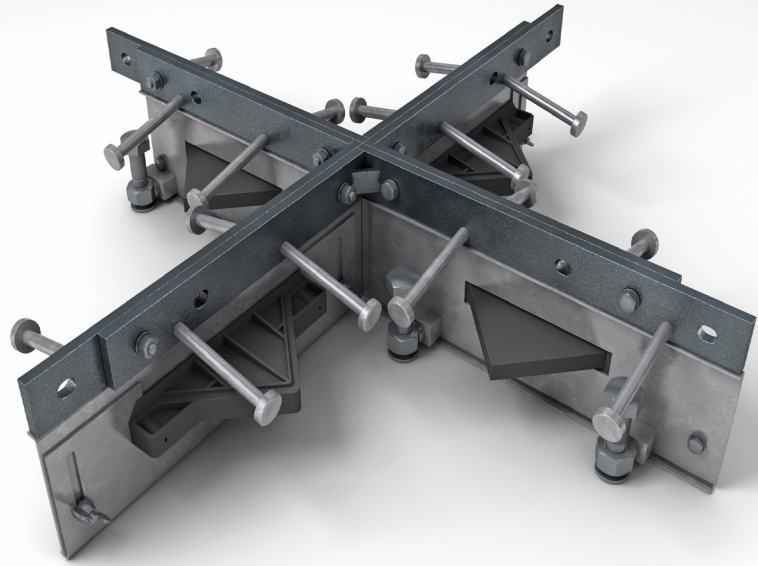
Alpha[®] 4010 4-Way

Specification Sheet

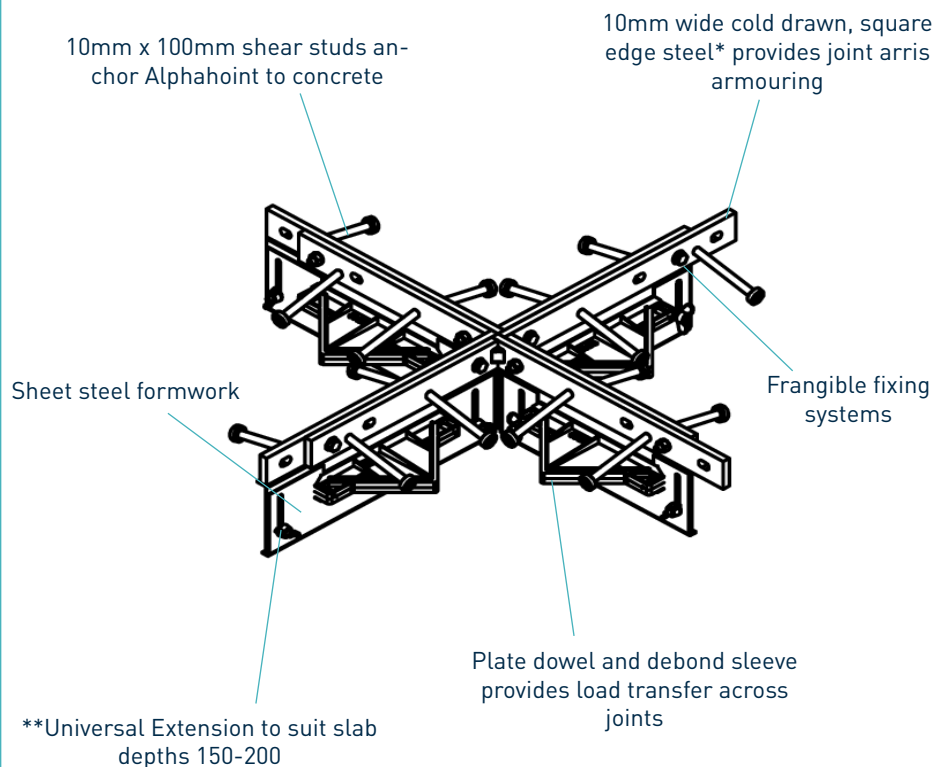
Issue 1.1

24/04/2020

Alpha[®] 4010 4-Way



Alpha[®] 4010 4-Way



* Also available in galvanised and stainless steel
** Other fixed heights are available

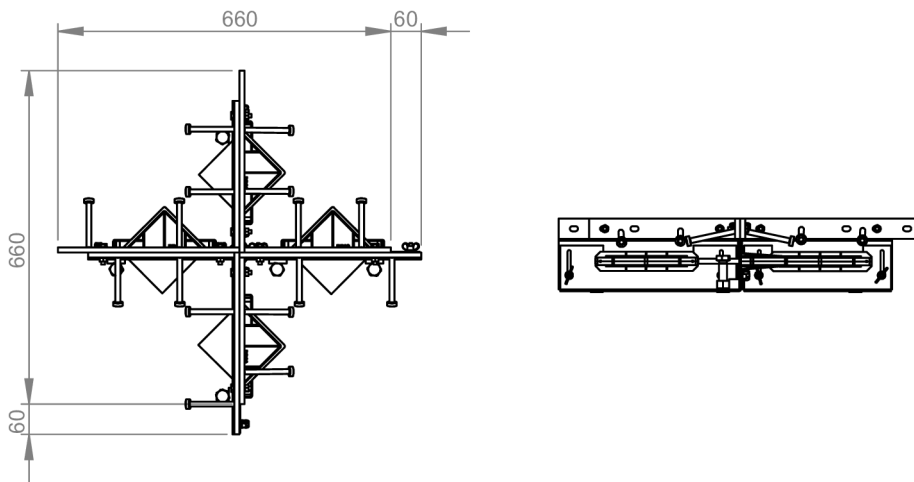
Alpha® 4010 4-Way

Specification Sheet Issue 1.1
 24/04/2020

manufacturing tolerances

Length	±2.0mm	Height	±1mm	Straightness	±0.5mm/600mm
---------------	--------	---------------	------	---------------------	--------------

dimensions of Alpha® 4010 4-Way



Dimensions in mm

dimensions and weight of Alpha® 4010 4-Way

Accessory	Width (mm)	Length (mm)	Single Weight (kg)	Number Per Bundle	Bundle Weight (kg)
4-Way	720	720	17	14	270

Typical height and length values shown only.

materials

Component	Material
Joint arris armouring (4010)	BS 070M20
Sheet steel formwork	BS EN 1030:2006 DC01
Shear stud	EN ISO 13918 :2017 S235J2
Plate dowel	BS EN 10025-2:2004 S275JRG2
Plate dowel sleeve	HDPP