

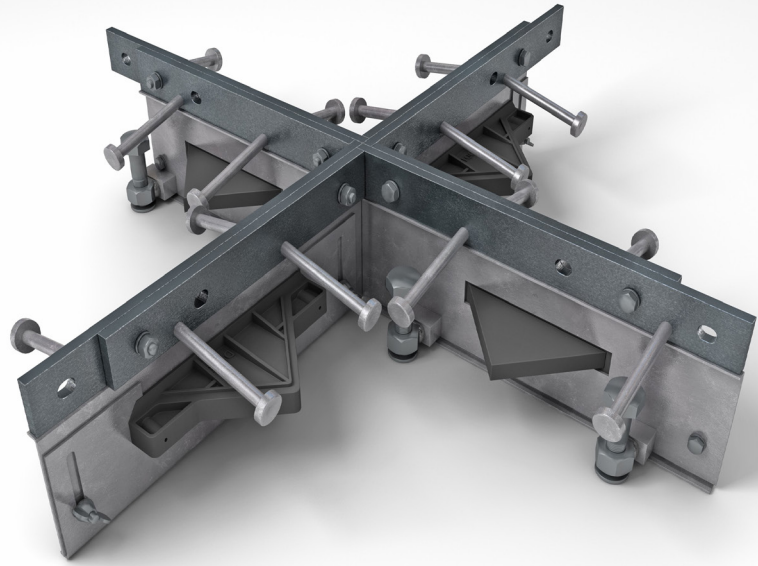
# Alpha® 4010 4-Way

Specification Sheet

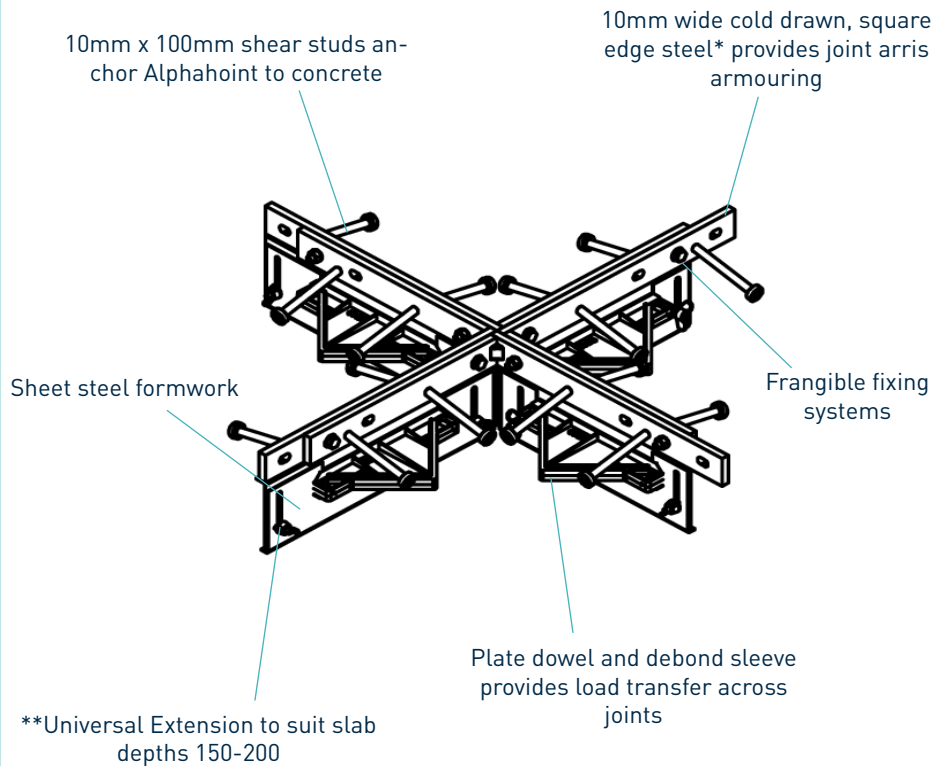
Issue 1.4

18/02/2021

Alpha® 4010 4-Way



Alpha® 4010 4-Way



\* Also available in electro-galvanised steel and stainless steel\*\* Other fixed heights are available

# Alpha® 4010 4-Way

Specification Sheet Issue 1.4  
18/02/2021

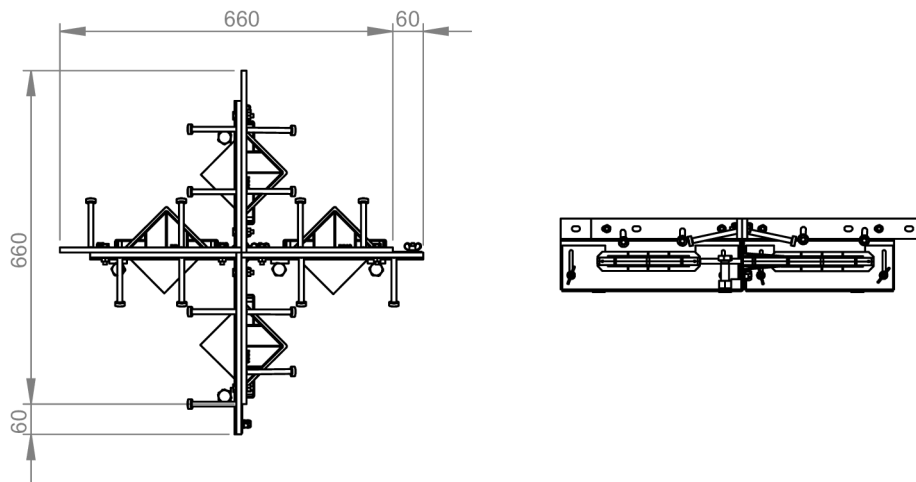
## manufacturing tolerances

**Length** ±2.0mm

**Height** ±1mm

**Straightness** ±0.5mm/600mm

## dimensions of Alpha® 4010 4-Way



Dimensions in mm

## dimensions and weight of Alpha® 4010 4-Way

Accessory	Width (mm)	Length (mm)	Single Weight (kg)	Number Per Bundle	Bundle Weight (kg)
4-Way	720	720	17	14	270

Typical height and length values shown only.

## materials

Component	Material
Joint arris armouring (4010)	EN 10277-1:2018 S235JRC
Sheet steel formwork	BS EN 1030:2006 DC01
Shear stud	EN ISO 13918 :2017 S235J2
Plate dowel	BS EN 10025-2:2004 S275JRG2
Plate dowel sleeve	HDPP