

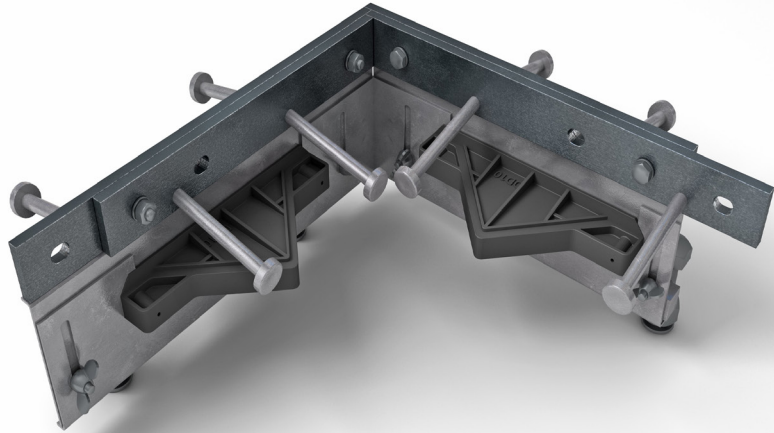
# Alpha® 4010 Dock

Specification Sheet

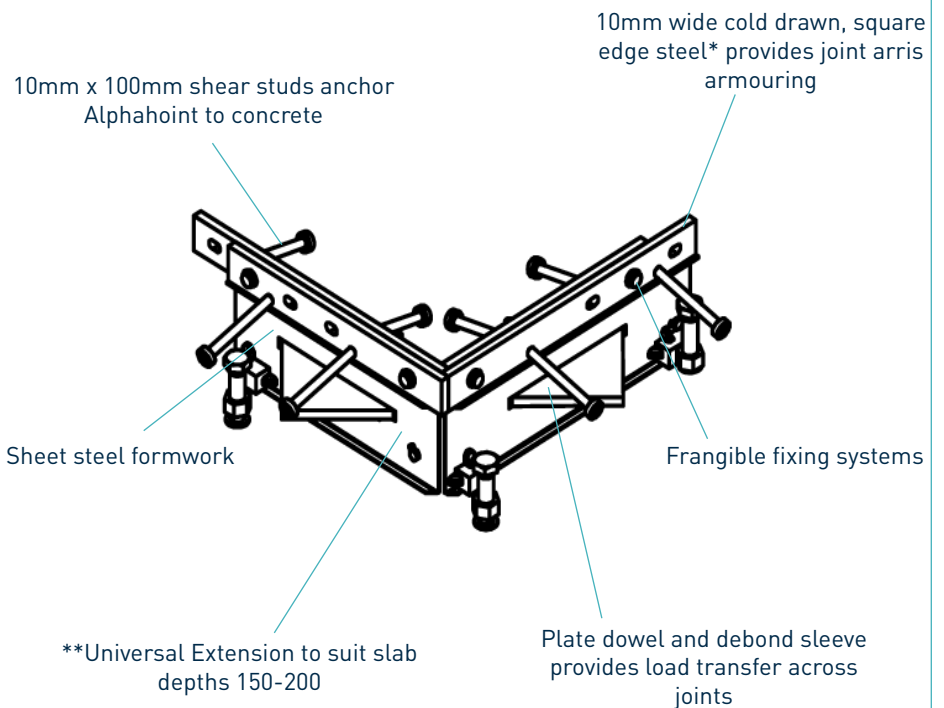
Issue 1.5

01/08/2023

Alpha® 4010 Dock



Alpha® 4010 Dock



\* Also available in electro-galvanised steel and stainless steel  
\*\* Other fixed heights are available  
Please note Alpha 4010 Docks are supplied as a pair

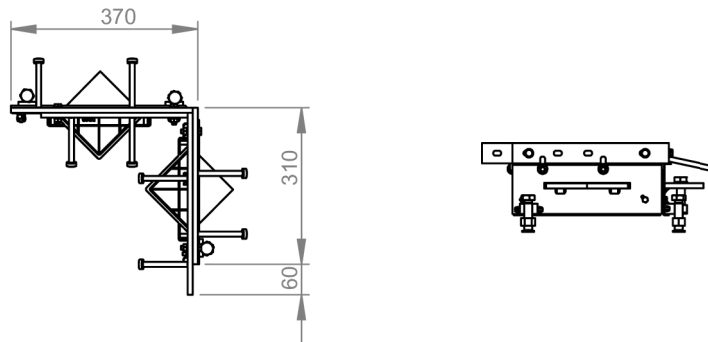
# Alpha® 4010 Dock

Specification Sheet Issue 1.5  
01/08/2023

## manufacturing tolerances

<b>Length</b>	±2.0mm	<b>Height</b>	±1mm	<b>Straightness</b>	±0.5mm/600mm
---------------	--------	---------------	------	---------------------	--------------

## dimensions of Alpha® 4010 Dock



\*dimensions in mm

## dimensions and weight of Alpha® 4010 Dock

Accessory	Width (mm)	Length (mm)	Single Weight (kg)	Number Per Bundle	Bundle Weight (kg)
Dock (pair)	370	370	18	14	287

Typical height and length values shown only.

## materials

Component	Material
Joint arris armouring (4010)	EN 10277-1:2018 S235JRC
Sheet steel formwork	EN 10130:2006 DC01
Shear stud	EN ISO 13918:2017 S235J2
Plate dowel	EN 10025-2:2004 S275JR
Plate dowel sleeve	HDPP