

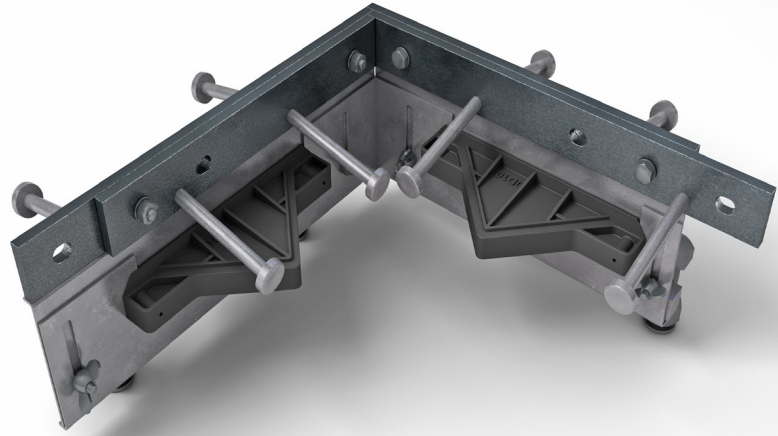
Alpha® 4010 Dock

Specification Sheet

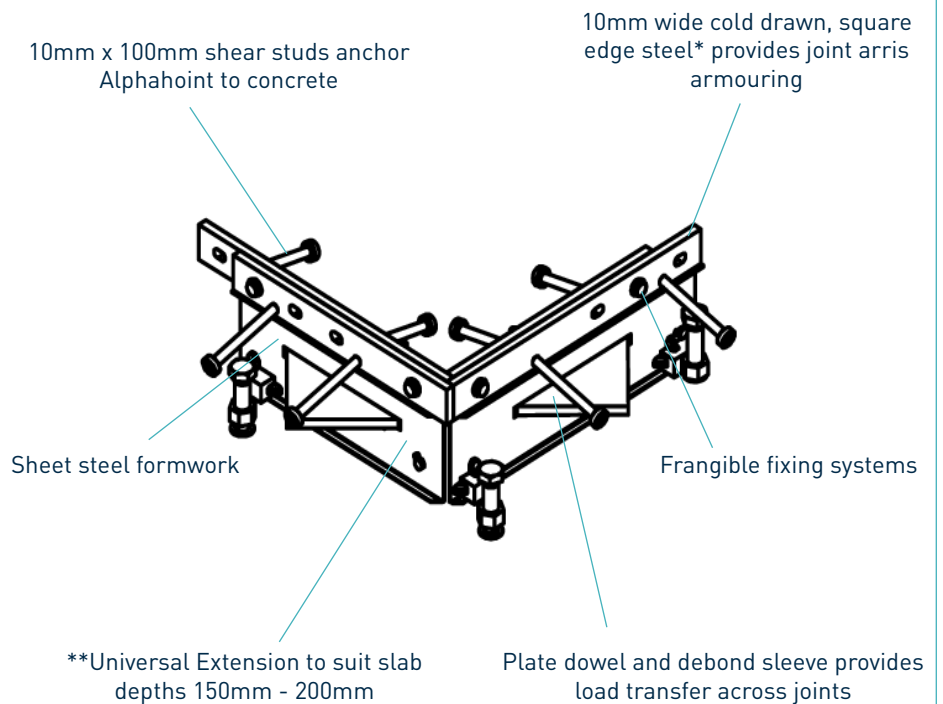
Issue 1.6

01/11/2024

Alpha® 4010 Dock



Alpha® 4010 Dock



*Also available in electro-galvanised steel and stainless steel
**Other fixed heights are available
Please note Alpha 4010 Docks are supplied as a pair

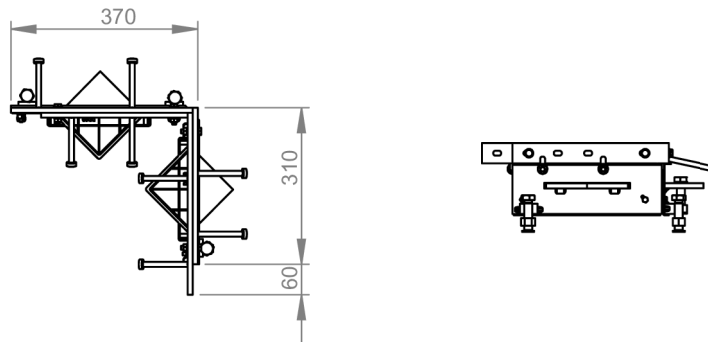
Alpha[®] 4010 Dock

Specification Sheet Issue 1.6
01/11/2024

manufacturing tolerances

Length	±2.0mm	Height	±1mm	Straightness	±0.5mm/600mm
---------------	--------	---------------	------	---------------------	--------------

dimensions of Alpha[®] 4010 Dock



dimensions in mm

dimensions and weight of Alpha[®] 4010 Dock

Accessory	Width (mm)	Length (mm)	Single Weight (kg)	Number Per Bundle	Bundle Weight (kg)
Dock (pair)	370	370	18	14	287

Typical height and length values shown only.

materials

Component	Material
Joint arris armouring (4010)	EN 10277-1:2018 S235JRC
Sheet steel formwork	EN 10130:2006 DC01
Shear stud	EN ISO 13918:2017 S235J2
Plate dowel	EN 10025-2:2004 S275JR
Plate dowel sleeve	HDPP