

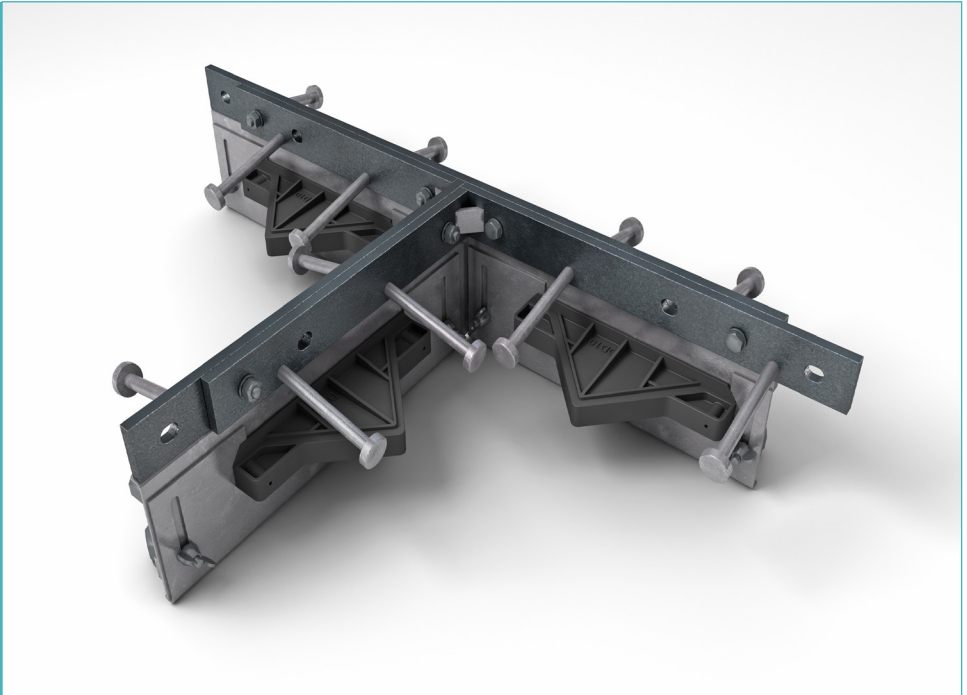
Alpha® 4010 T-Section

Specification Sheet

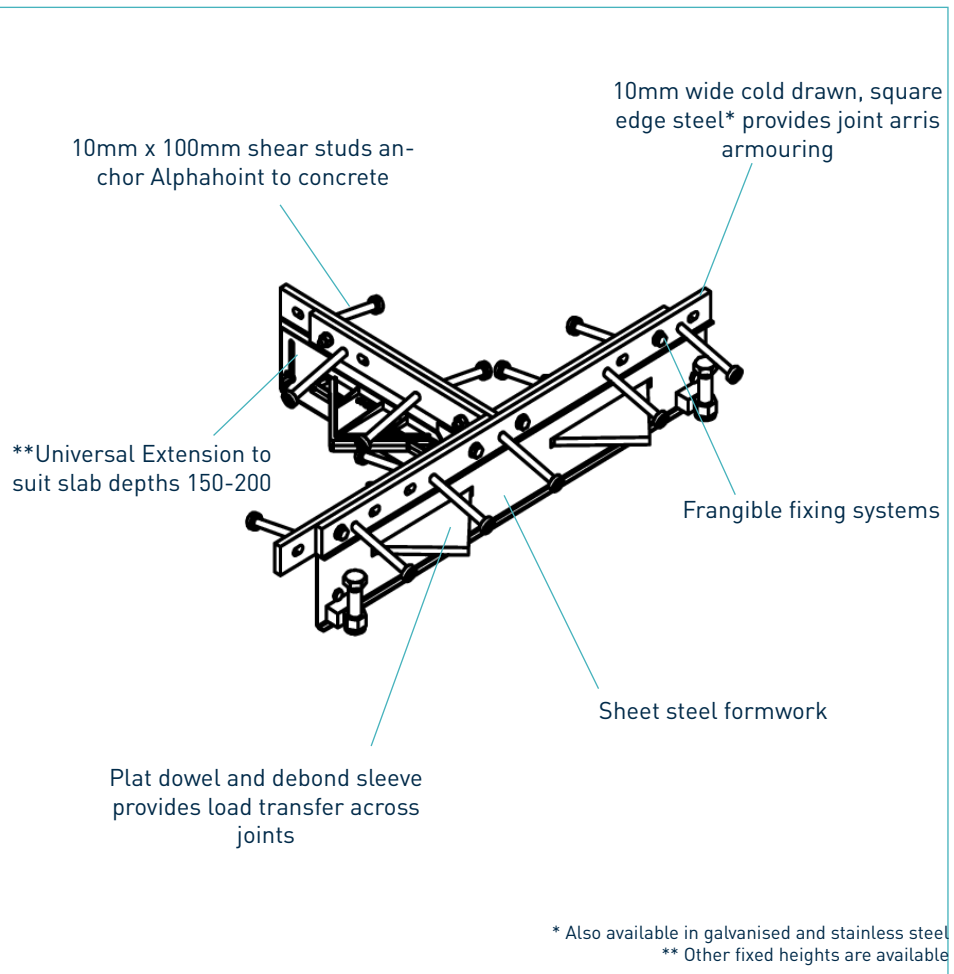
Issue 1.1

20/04/2020

Alpha® 4010 T-Section



Alpha® 4010 T-Section



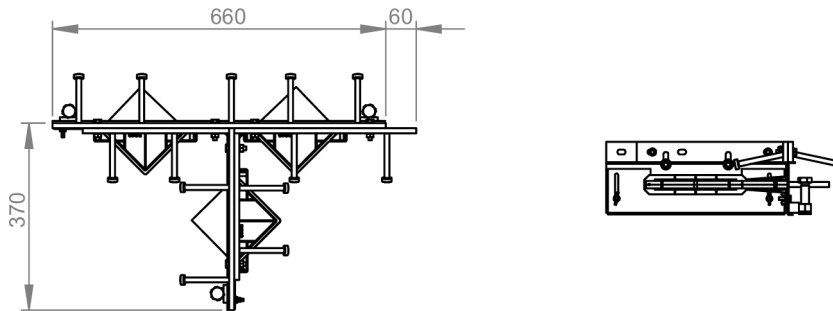
Alpha® 4010 T-Section

Specification Sheet Issue 1.1
20/04/2020

manufacturing tolerances

| | | | | | |
|---------------|--------|---------------|------|---------------------|--------------|
| Length | ±2.0mm | Height | ±1mm | Straightness | ±0.5mm/600mm |
|---------------|--------|---------------|------|---------------------|--------------|

dimensions of Alpha® 4010 T-Section



Dimensions in mm

dimensions and weight of Alpha® 4010 T-Section

| Accessory | Width (mm) | Length (mm) | Single Weight (kg) | Number Per Bundle | Bundle Weight (kg) |
|-----------|------------|-------------|--------------------|-------------------|--------------------|
| T-Section | 370 | 720 | 13 | 20 | 290 |

Typical height and length values shown only.

materials

| Component | Material |
|------------------------------|-----------------------------|
| Joint arris armouring (4010) | BS 070M20 |
| Sheet steel formwork | BS EN 1030:2006 DC01 |
| Shear stud | EN ISO 13918 :2017 S235J2 |
| Plate dowel | BS EN 10025-2:2004 S275JRG2 |
| Plate dowel sleeve | HDPP |