

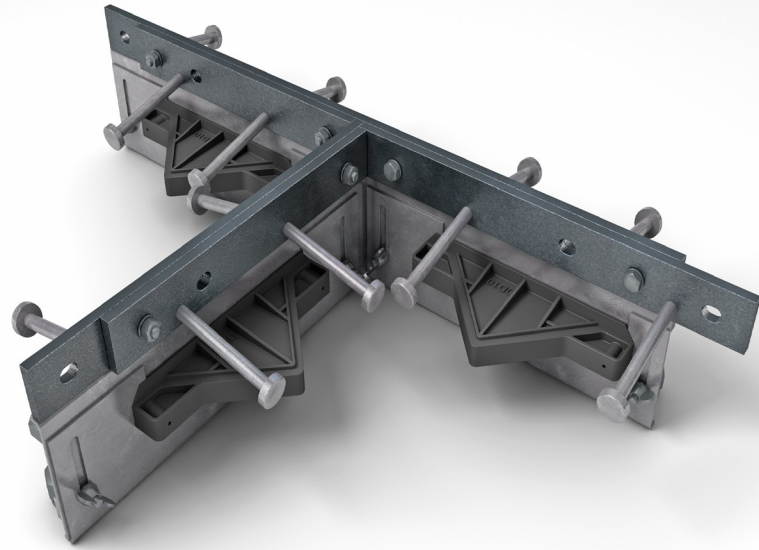
# Alpha® 4010 T-Section

Specification Sheet

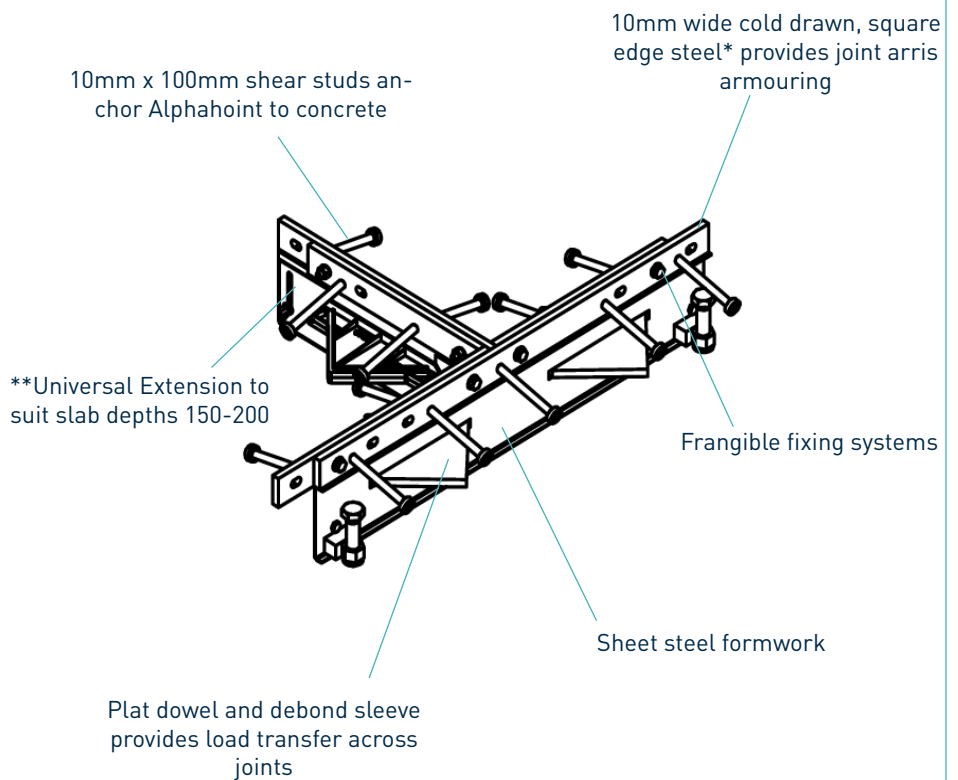
Issue 1.4

18/02/2021

Alpha® 4010 T-Section



Alpha® 4010 T-Section



\* Also available in electro-galvanised steel and stainless steel

\*\* Other fixed heights are available

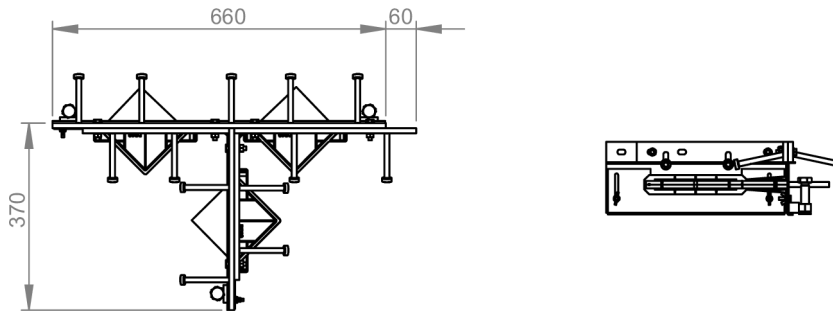
# Alpha® 4010 T-Section

Specification Sheet Issue 1.4  
18/02/2021

## manufacturing tolerances

<b>Length</b>	±2.0mm	<b>Height</b>	±1mm	<b>Straightness</b>	±0.5mm/600mm
---------------	--------	---------------	------	---------------------	--------------

## dimensions of Alpha® 4010 T-Section



Dimensions in mm

## dimensions and weight of Alpha® 4010 T-Section

Accessory	Width (mm)	Length (mm)	Single Weight (kg)	Number Per Bundle	Bundle Weight (kg)
T-Section	370	720	13	20	290

Typical height and length values shown only.

## materials

Component	Material
Joint arris armoring (4010)	EN 10277-1:2018 S235JRC
Sheet steel formwork	BS EN 1030:2006 DC01
Shear stud	EN ISO 13918 :2017 S235J2
Plate dowel	BS EN 10025-2:2004 S275JRG2
Plate dowel sleeve	HDPP