

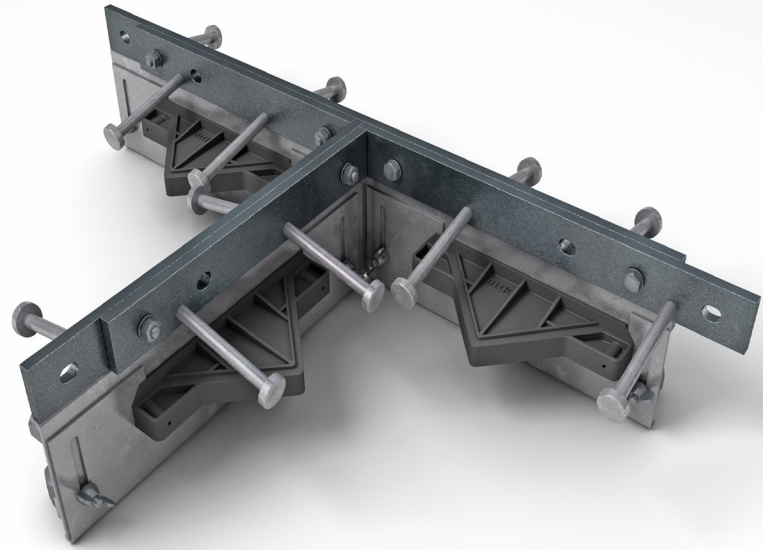
Alpha® 4010 T-Section

Specification Sheet

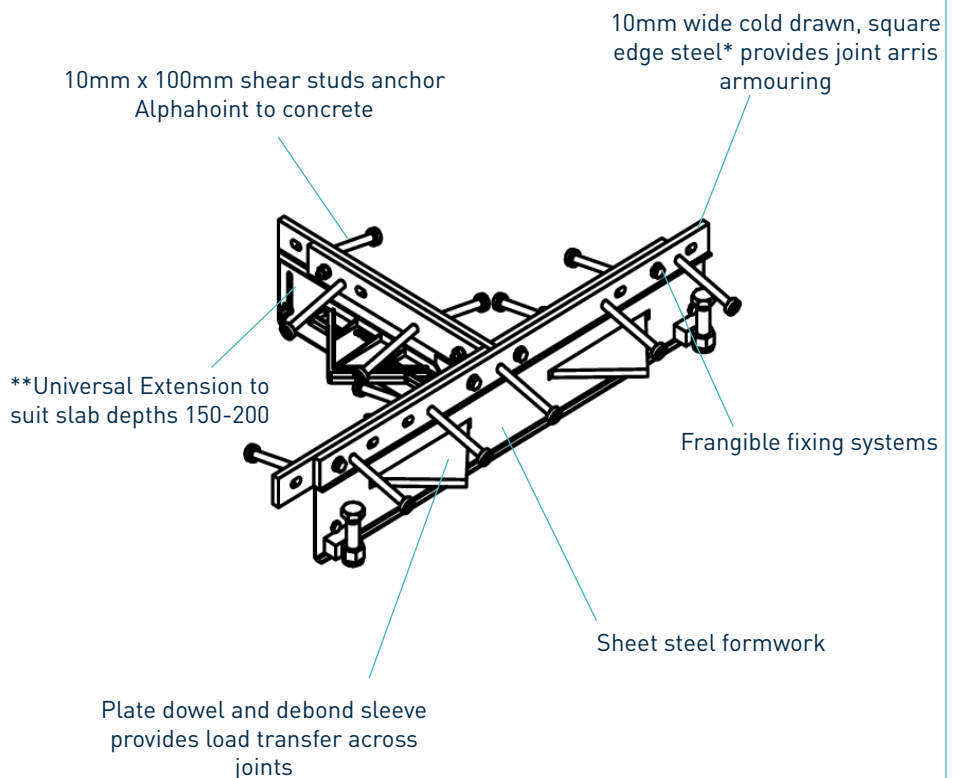
Issue 1.5

01/08/2023

Alpha® 4010 T-Section



Alpha® 4010 T-Section



* Also available in electro-galvanised steel and stainless steel

** Other fixed heights are available

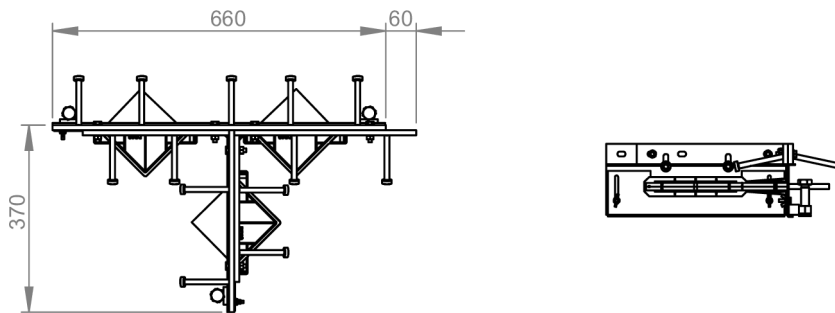
Alpha® 4010 T-Section

Specification Sheet Issue 1.5
01/08/2023

manufacturing tolerances

Length	±2.0mm	Height	±1mm	Straightness	±0.5mm/600mm
---------------	--------	---------------	------	---------------------	--------------

dimensions of Alpha® 4010 T-Section



*Dimensions in mm

dimensions and weight of Alpha® 4010 T-Section

Accessory	Width (mm)	Length (mm)	Single Weight (kg)	Number Per Bundle	Bundle Weight (kg)
T-Section	370	720	13	20	295

Typical height and length values shown only.

materials

Component	Material
Joint arris armouring (4010)	EN 10277-1:2018 S235JRC
Sheet steel formwork	EN 10130:2006 DC01
Shear stud	EN ISO 13918:2017 S235J2
Plate dowel	EN 10025-2:2004 S275JR
Plate dowel sleeve	HDPP