

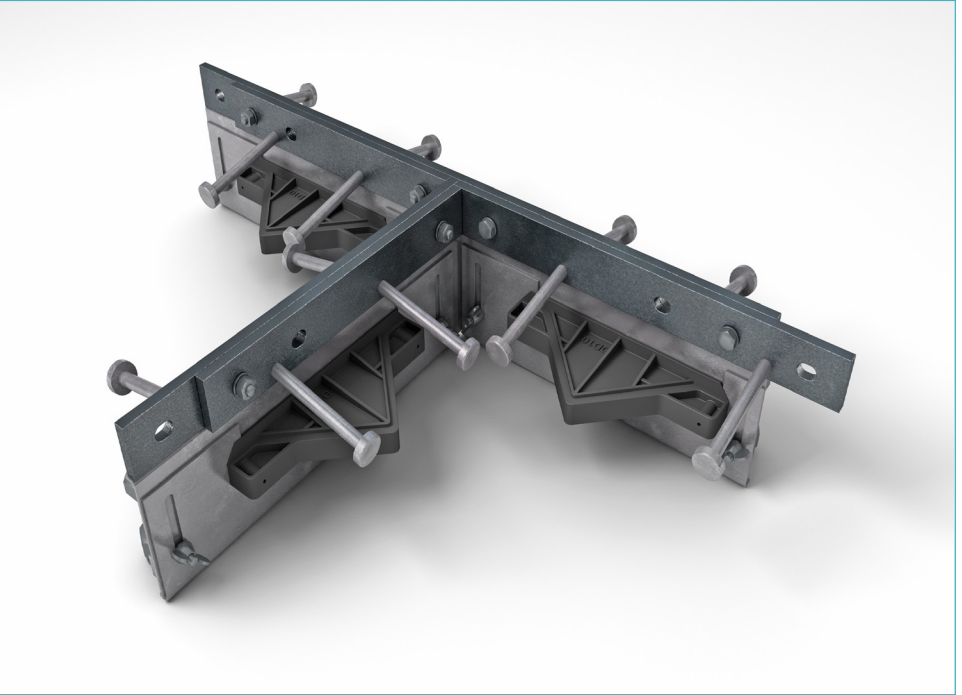
# Alpha® 4010 T-Section

Specification Sheet

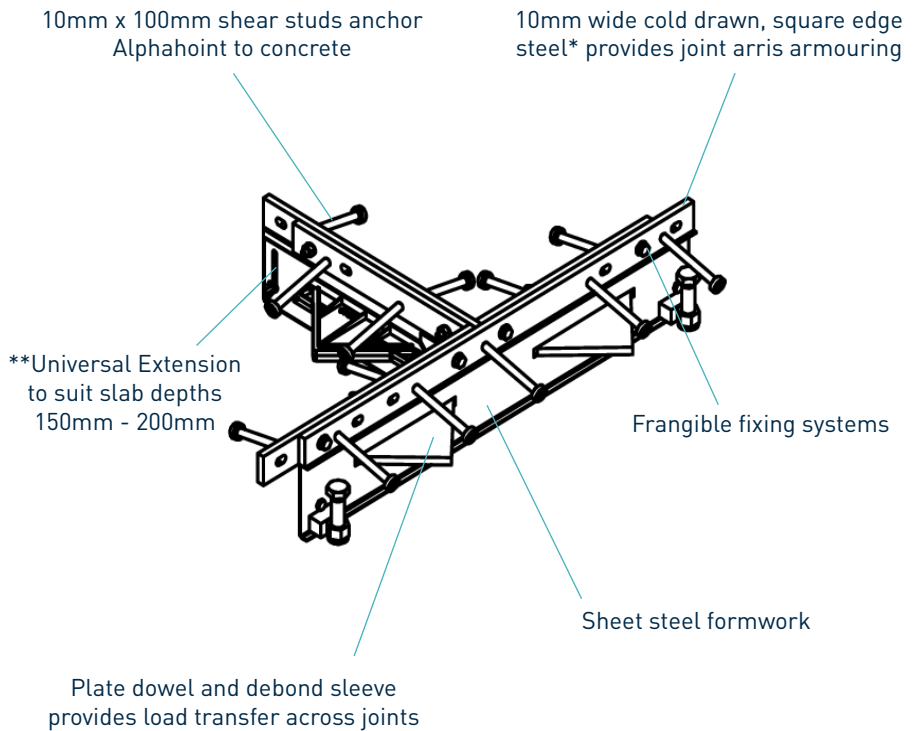
Issue 1.6

01/11/2024

## Alpha® 4010 T-Section



## Alpha® 4010 T-Section



\*Also available in electro-galvanised steel and stainless steel

\*\*Other fixed heights are available

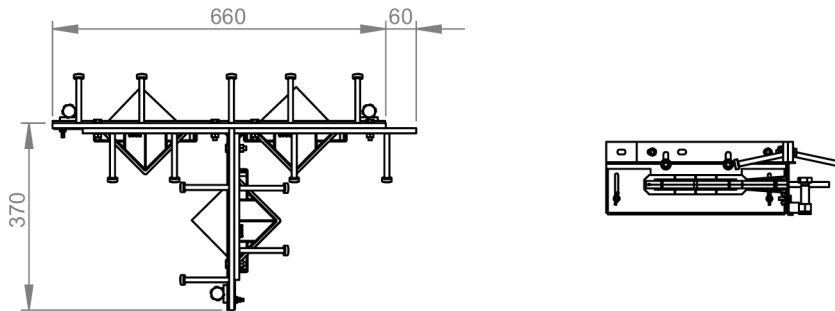
# Alpha® 4010 T-Section

Specification Sheet Issue 1.6  
01/11/2024

## manufacturing tolerances

<b>Length</b>	±2.0mm	<b>Height</b>	±1mm	<b>Straightness</b>	±0.5mm/600mm
---------------	--------	---------------	------	---------------------	--------------

## dimensions of Alpha® 4010 T-Section



dimensions in mm

## dimensions and weight of Alpha® 4010 T-Section

Accessory	Width (mm)	Length (mm)	Single Weight (kg)	Number Per Bundle	Bundle Weight (kg)
T-Section	370	720	13	20	295

## materials

Component	Material
Joint arris armouring (4010)	EN 10277-1:2018 S235JRC
Sheet steel formwork	EN 10130:2006 DC01
Shear stud	EN ISO 13918:2017 S235J2
Plate dowel	EN 10025-2:2004 S275JR
Plate dowel sleeve	HDPP