

# AlphaJoint® Classic 4010

Specification Sheet

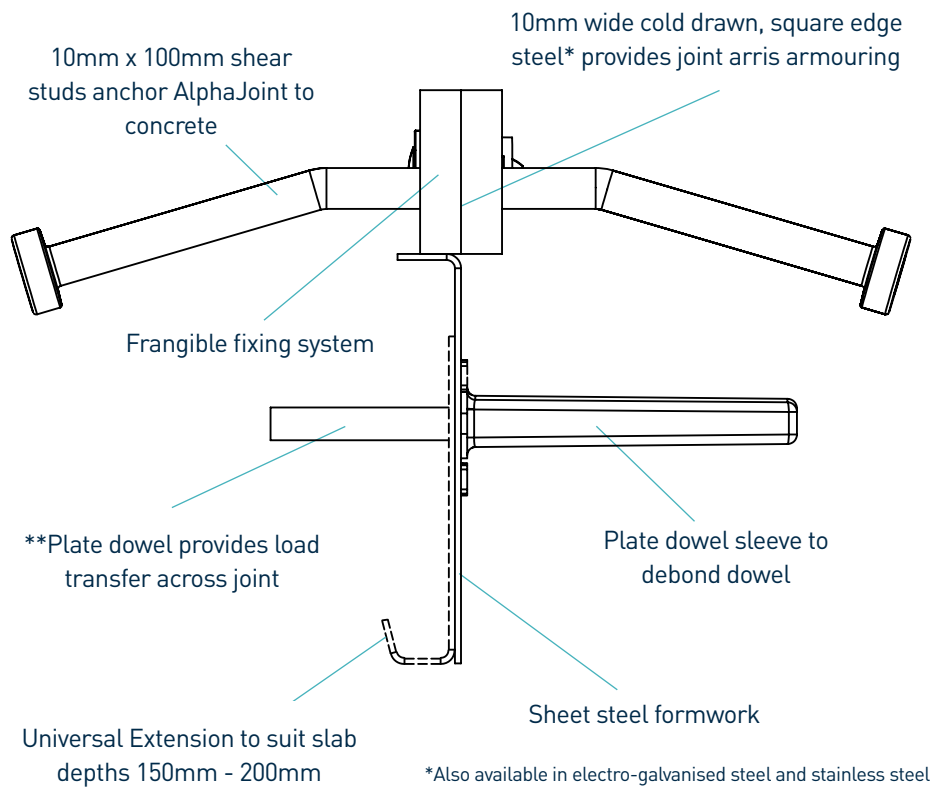
Issue 6.3

01/09/2024

AlphaJoint® Classic 4010



AlphaJoint® Classic 4010



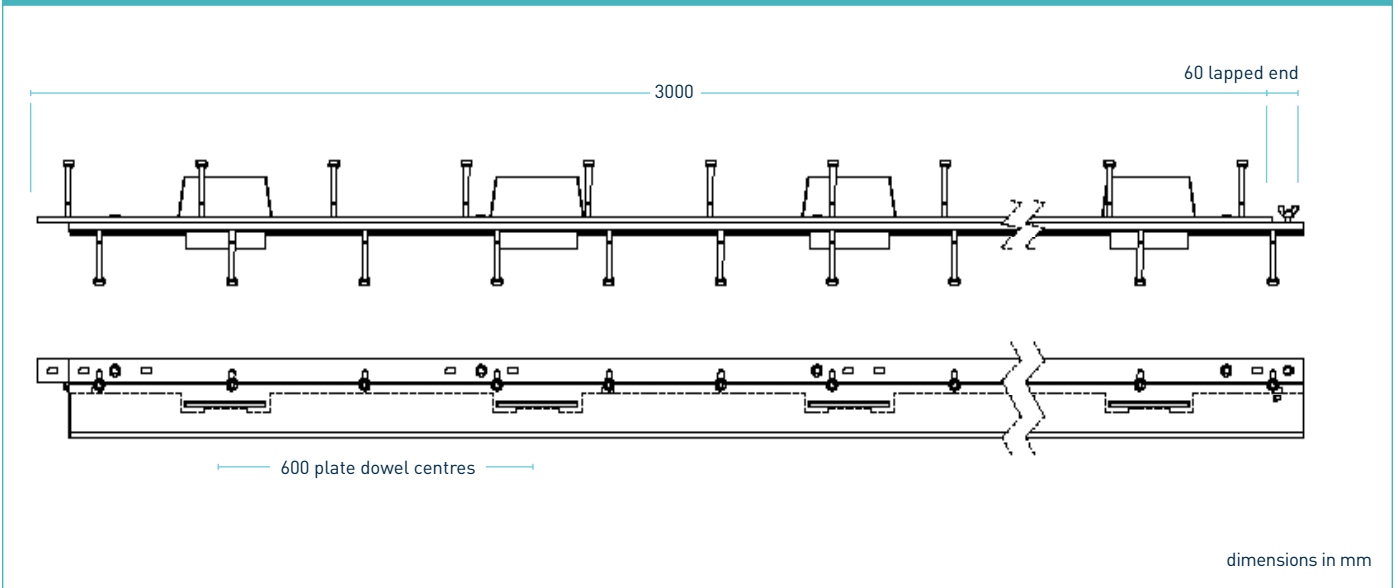
# AlphaJoint® Classic 4010

Specification Sheet Issue 6.3  
01/09/2024

## manufacturing tolerances

<b>Length</b>	±2.0mm	<b>Height</b>	±1mm	<b>Straightness</b>	±0.5mm/600mm
---------------	--------	---------------	------	---------------------	--------------

## dimensions of AlphaJoint® Classic 4010



## dimensions and weight of AlphaJoint® Classic 4010

Nominal Slab Depth (mm)	Joint Height, h (mm)	Dowel Size (mm)	Dowel Centres (mm)	Length (mm)	Single Joint Weight (kg)	Number Per Bundle	Bundle Weight (kg)
150 - 200	140 - 190	151 x 120 x 8	600	3000	32	42	1469
225	200				33	35	1280
250	225				34	35	1315

Typical height and length values shown only. Weight values shown are based on AlphaJoint® Classic 4010 including TD8 dowels and are approximate.

## materials

Component	Material
Joint arris armouring (4010)	EN 10277-1:2018 S235JRC
Sheet steel formwork	EN 10130:2006 DC01
Shear stud	EN ISO 13918:2017 S235J2
Plate dowel	EN 10025-2:2004 S275JR
Plate dowel sleeve	HDPP

# AlphaJoint® Classic 4010

Specification Sheet Issue 6.3  
01/09/2024

## theoretical calculated ultimate loads at failure of dowel or concrete

(For typical slabs, 40N/mm<sup>2</sup> concrete and 20mm joint opening)

		Unreinforced Slab	
Slab Depth (mm)	Dowel Type	Bursting (kN/m)	Bending (kN/m)
Universal Divider Plate to Suit 150 - 200	TD6	34.5	53.0
	TD8	34.5	86.2
	TD10	34.5	123.0
225	TD6	58.8	53.0
	TD8	58.8	86.2
	TD10	58.8	123.0
250	TD6	70.3	53.0
	TD8	70.3	86.2
	TD10	70.3	123.0
275	TD6	82.9	53.0
	TD8	82.9	86.2
	TD10	82.9	123.0
300	TD6	84.2	53.0
	TD8	84.2	86.2
	TD10	84.2	123.0
325	TD6	79.5	53.0
	TD8	79.5	86.2
	TD10	79.5	123.0

# AlphaJoint® Classic 4010

Specification Sheet Issue 6.3

01/09/2024

## Ultimate load (kN/m)

This table shows the load at failure in bursting (failure of the concrete) and bending (failure of the dowel) for a joint opening of 20mm - larger joint openings can be accommodated. The ultimate load has been calculated in accordance with TR34 4th Edition. Dowel positions taken at mid depth of slab. For more detailed analysis please contact RCR Flooring Products Ltd.

\*All design calculations should be verified by a suitably qualified structural engineer.

compatible dowel systems

