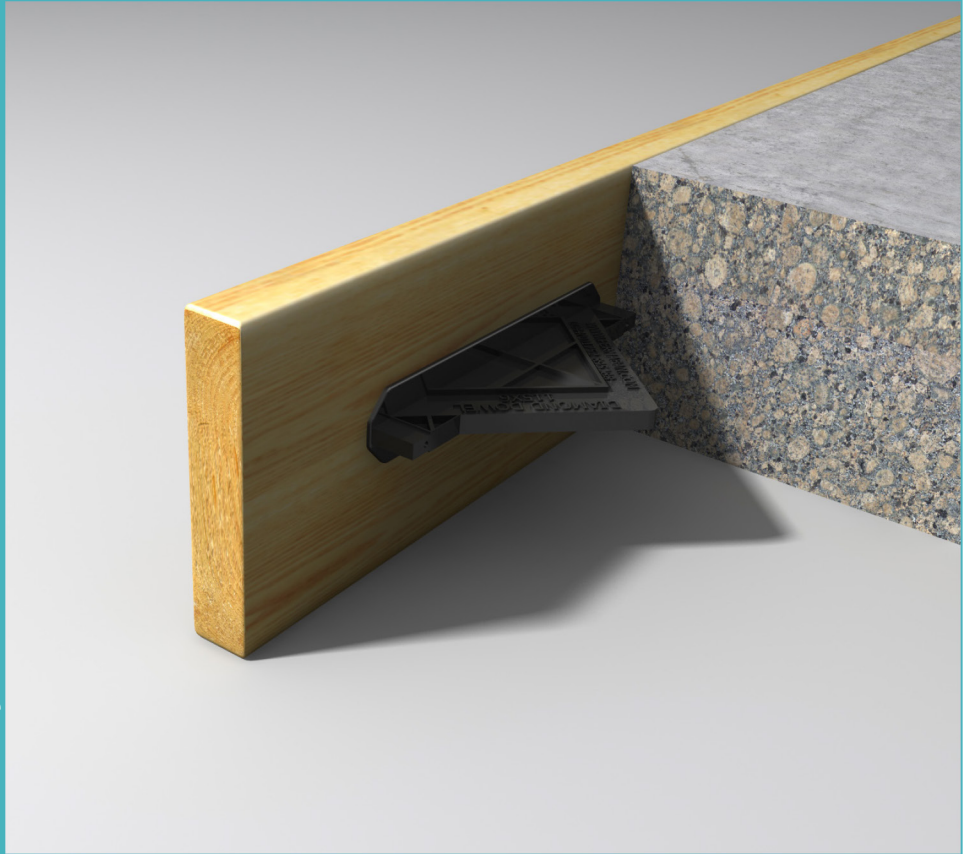


Dowel Systems

Specification Sheet
Issue 2.8
09/07/2019

Dowel Systems



Dowel Systems

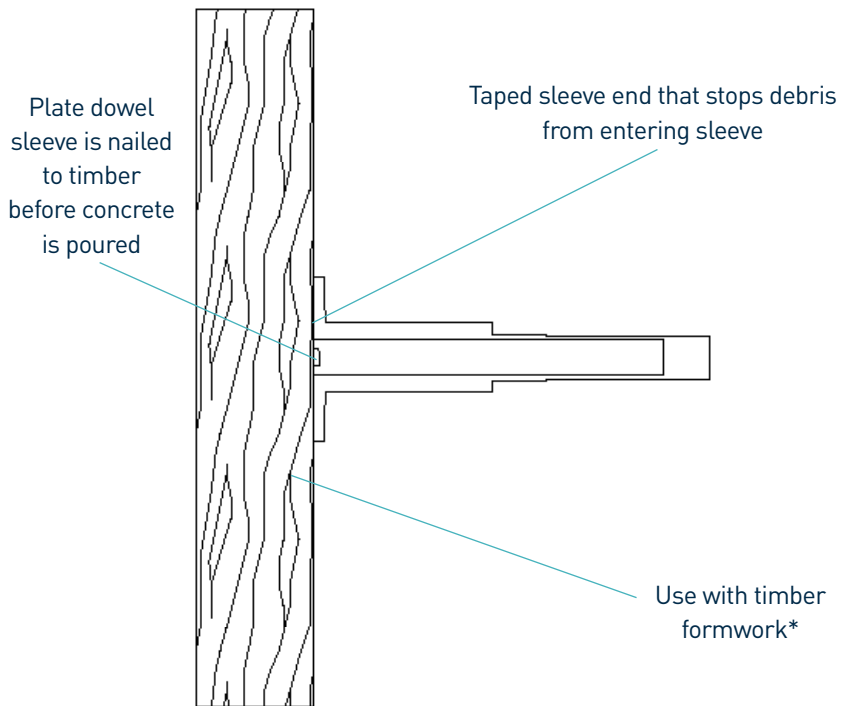


Plate dowel system shown.

*Not supplied

dowel systems

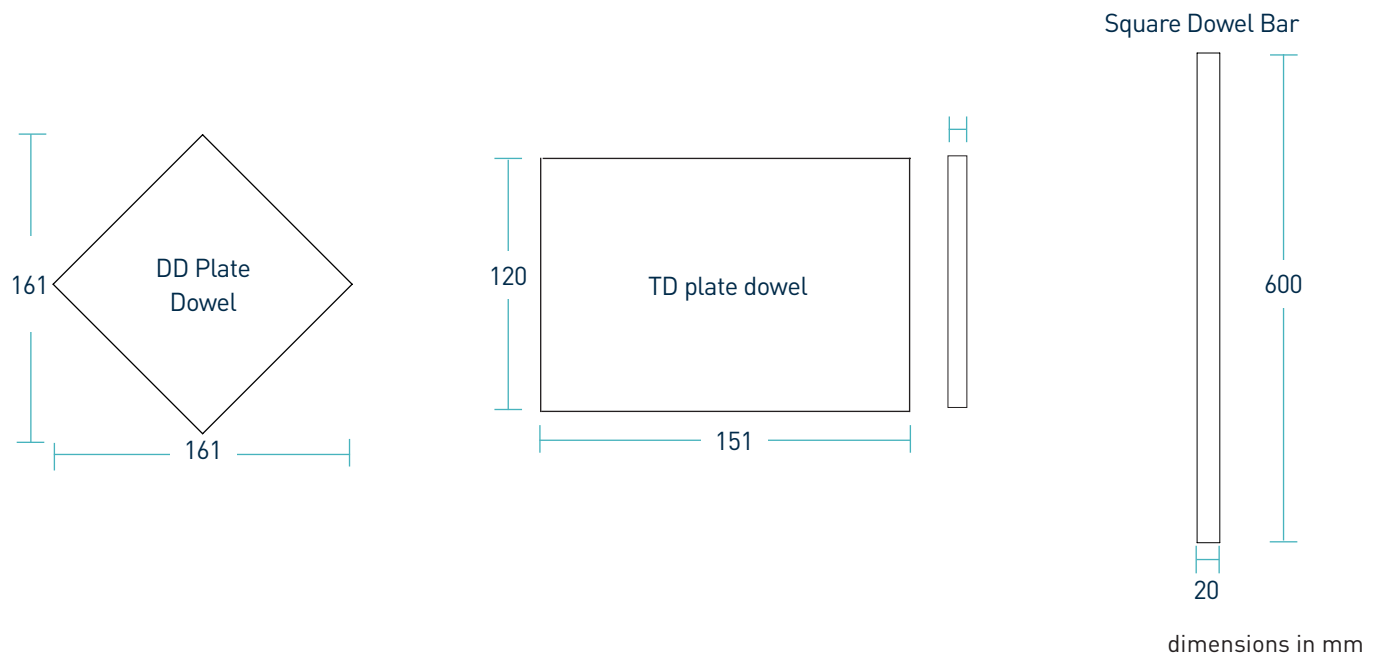
Specification Sheet Issue 2.8
 09/07/2019

manufacturing tolerances

Length ±2.0mm

Thickness ±0.4mm

dimensions of Dowel Systems



weight of packaging information

Dowel Type	Single Dowel Weight (kg)	Single Sleeve Weight (kg)
DD6 Plate Dowel	0.6	0.1
DD10 Plate Dowel	1.0	0.2
TD10 Plate Dowel	1.2	0.2
Square Dowel Bar	1.9	0.2

Weight values shown are approximate.

materials

Component	Material
Plate dowel	BS EN 10025-2:2004 S275JRG2 min 410 N/mm ²
Plate dowel sleeve	ABS
Square dowel bar	BS EN 10025-2:2004 S275JR
Square dowel bar sleeve	PP

Dowel Systems

Specification Sheet Issue 2.8
09/07/2019

theoretical calculated ultimate loads at failure of dowel or concrete

(10mm joint opening for typical slabs, 40N/mm² and 10mm joint opening)

Unreinforced Slab

Slab Depth (mm)	Dowel Type	Bursting (KN/m)	Bearing/Bending (KN/m)
150	DD6 @ 450mm	38.9	103.8
	DD10 @ 450mm	38.9	212.7
	TD10 @ 600mm	31.2	168.9
	Square Bar @ 300mm	31.5	71.9
200	DD6	62.8	103.8
	DD10	62.8	212.7
	TD10	49.9	168.9
	Square Bar	42	71.9
250	DD6	61.7	103.8
	DD10	61.7	212.7
	TD10	72.6	168.9
	Square Bar	52.5	71.9
300	DD6	71.1	103.8
	DD10	71.1	212.7
	TD10	86.9	168.9
	Square Bar	63	71.9

DD are spaced at 450mm, TD spaced at 600mm and Square Bars spaced at 300mm

This table shows the load at failure in bursting (failure of the concrete) and bending (failure of the dowel) for a joint opening of 10mm - larger joint openings can be accommodated. The ultimate load has been calculated in accordance with TR34 4th Edition. Dowel position taken at mid depth of slab. For more detailed analysis please contact RCR Flooring Products Ltd. *All design calculations should be verified by a suitably qualified structural engineer.

Disclaimer: Dowels are to be inserted into the sleeve within 24 - 48 hours following the pour