

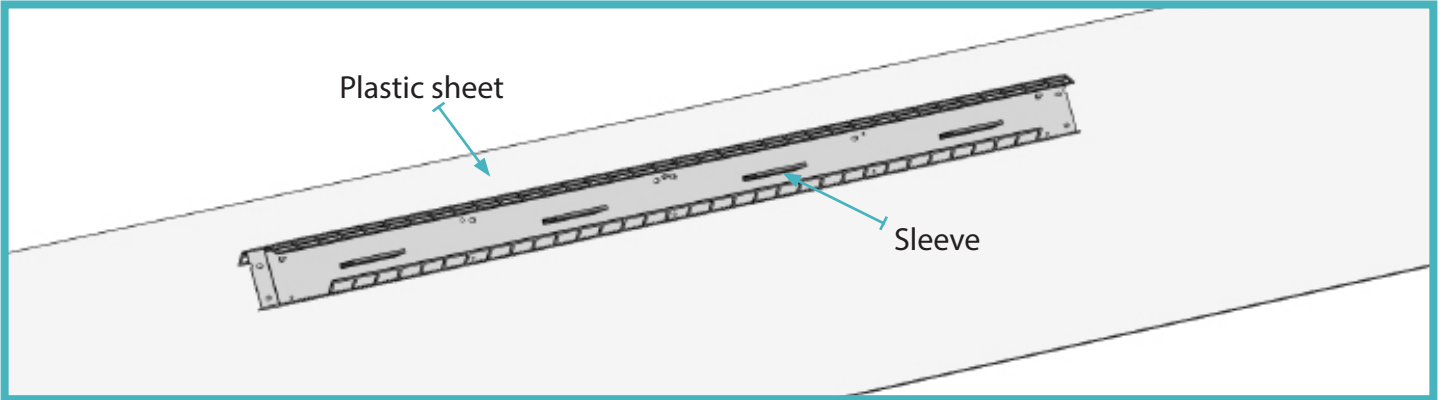
Permaban Beta / Eclipse Installation Guide

Using Pin and Weld Method

Installation Guide Issue V1.0
14/07/22

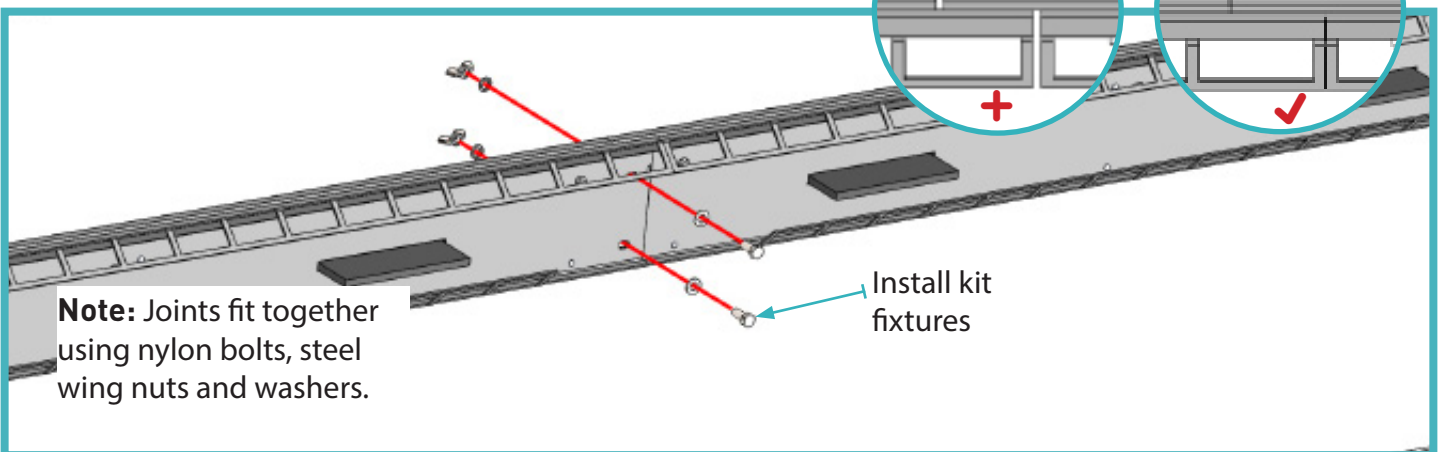
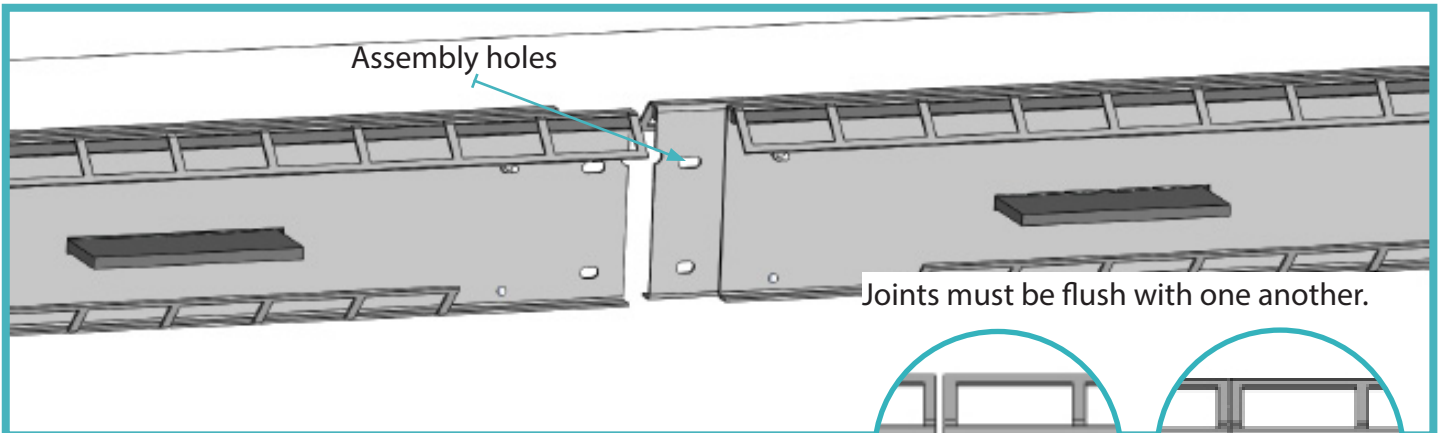
01 Placing the Eclipse Joint

Place Joints on the floor with Sleeves facing up.



02 Put Joints together

Stand Joints end to end, and fix together using install kit fixtures, through the supplied assembly holes.



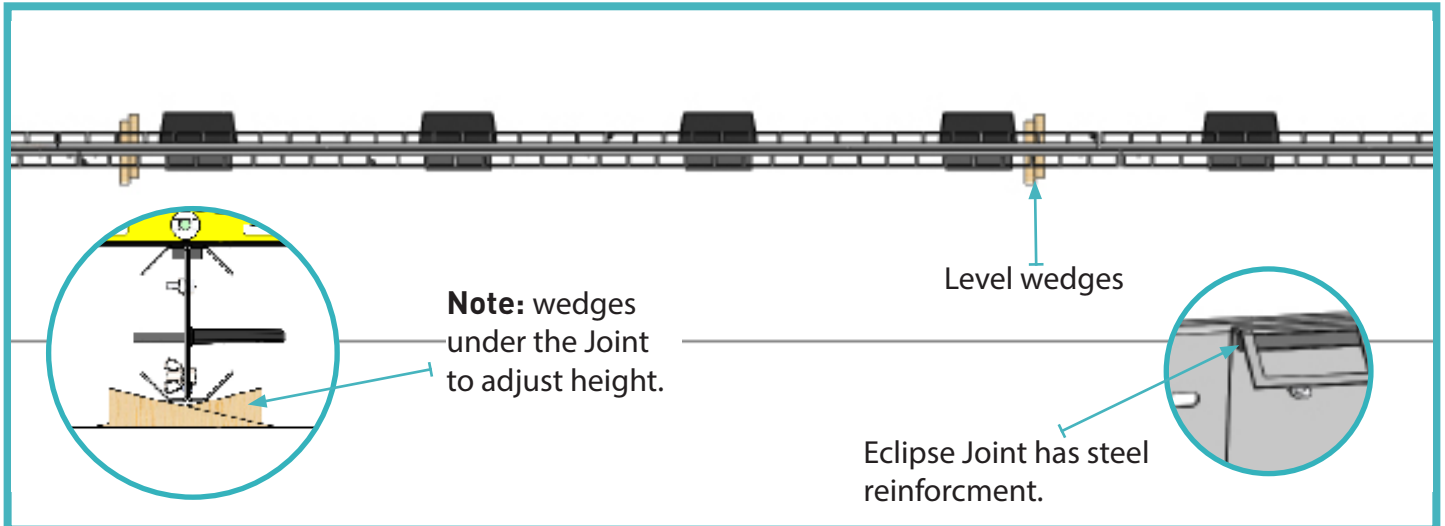
Permaban Beta / Eclipse Installation Guide

Using Pin and Weld Method

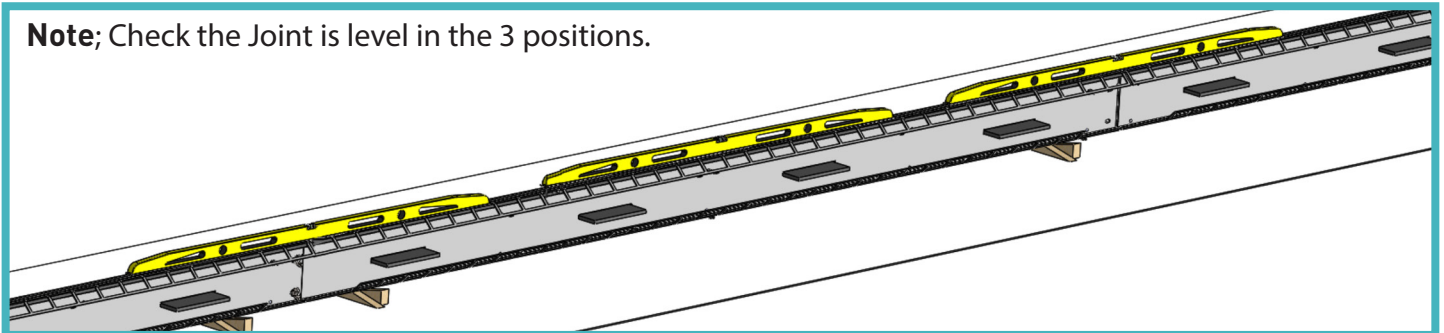
Installation Guide Issue V1.0
14/07/22

03 Adjust to Height

Use wedges on either side and either end, to adjust the height of the Joint. Road form pins are then driven in the ground and tack welded to set the height.

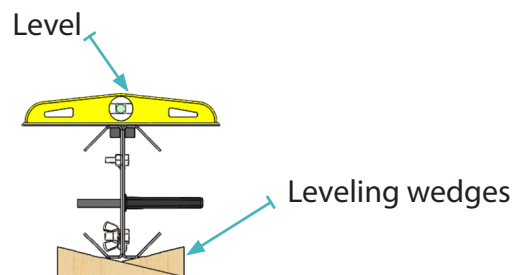


Note; Check the Joint is level in the 3 positions.



Measure the horizontal level.

Note; Joints must be fixed at 90°.



Permaban Beta / Eclipse Installation Guide

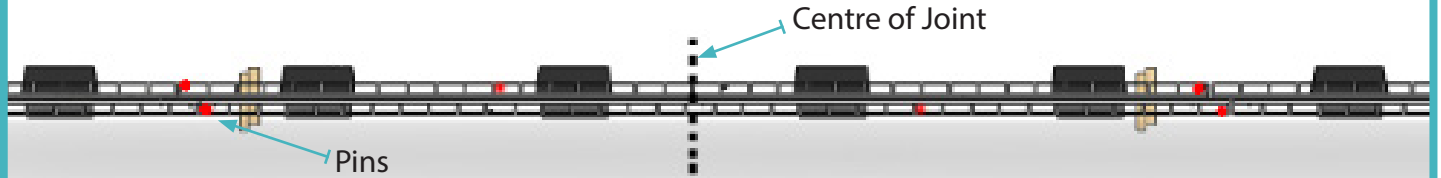
Using Pin and Weld Method

Installation Guide Issue V1.0
14/07/22

04 Place pins

Once Joints are level hammer pins ether side of the joint and tack weld in position.

Note: 6 Pins per Joint.

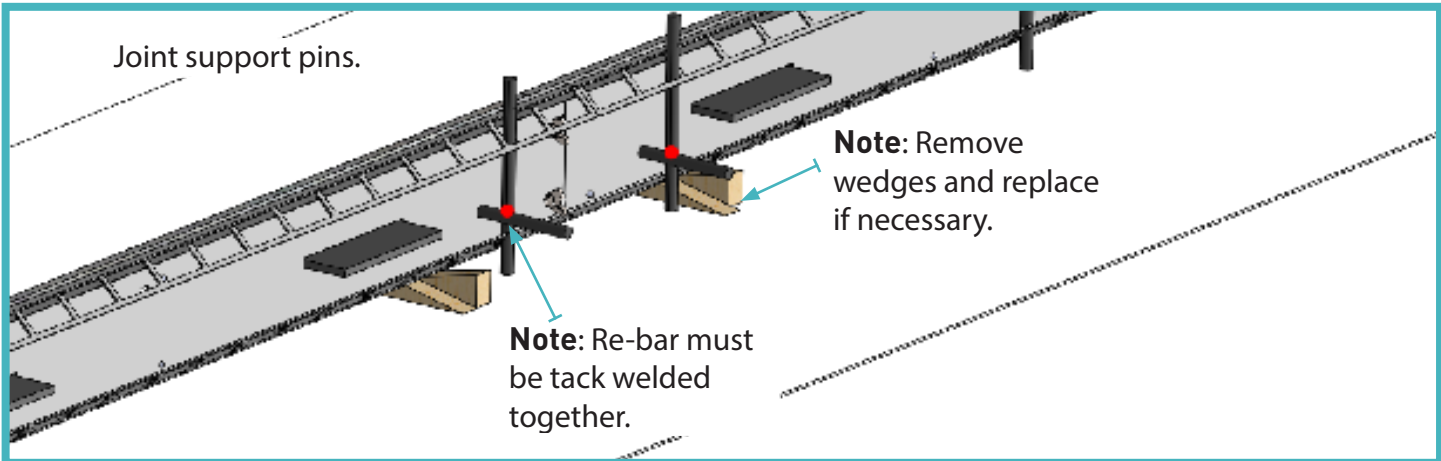


Note: Ideal placement for pin shown above.

Note: Once Pins are welded remove wedges.

05 Support bars / Wedges

Use this method 3 times along the length of the Joint for a solid support.

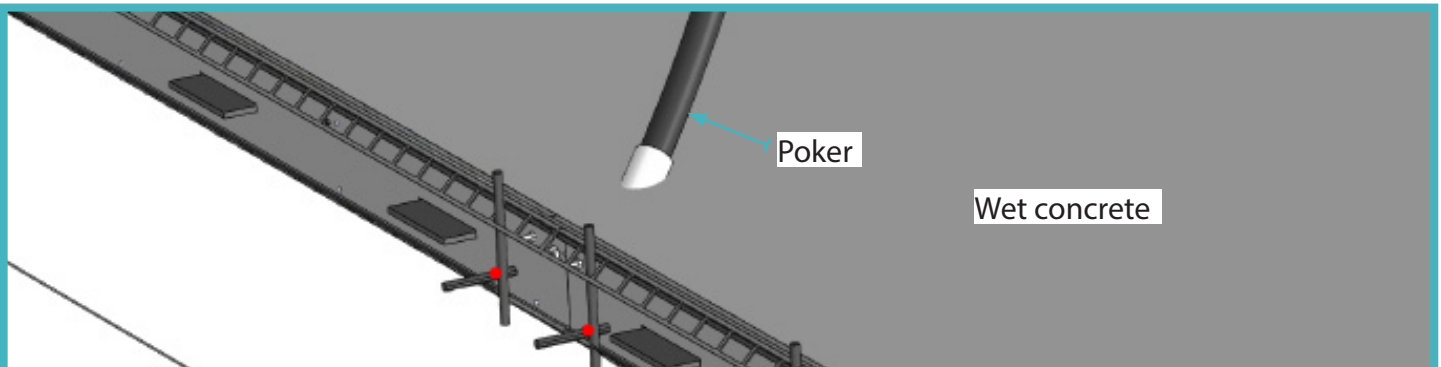


Note: Re-bar must be tack welded together.

Note: Remove wedges and replace if necessary.

06 Vibrate Concrete

Poker vibrate along length of the Joint to compact the concrete.



07 Finish

Finish concrete, flush to top of the Joint ensuring the rail is clearly visible. Before next side is cast, cut Joints support pins.