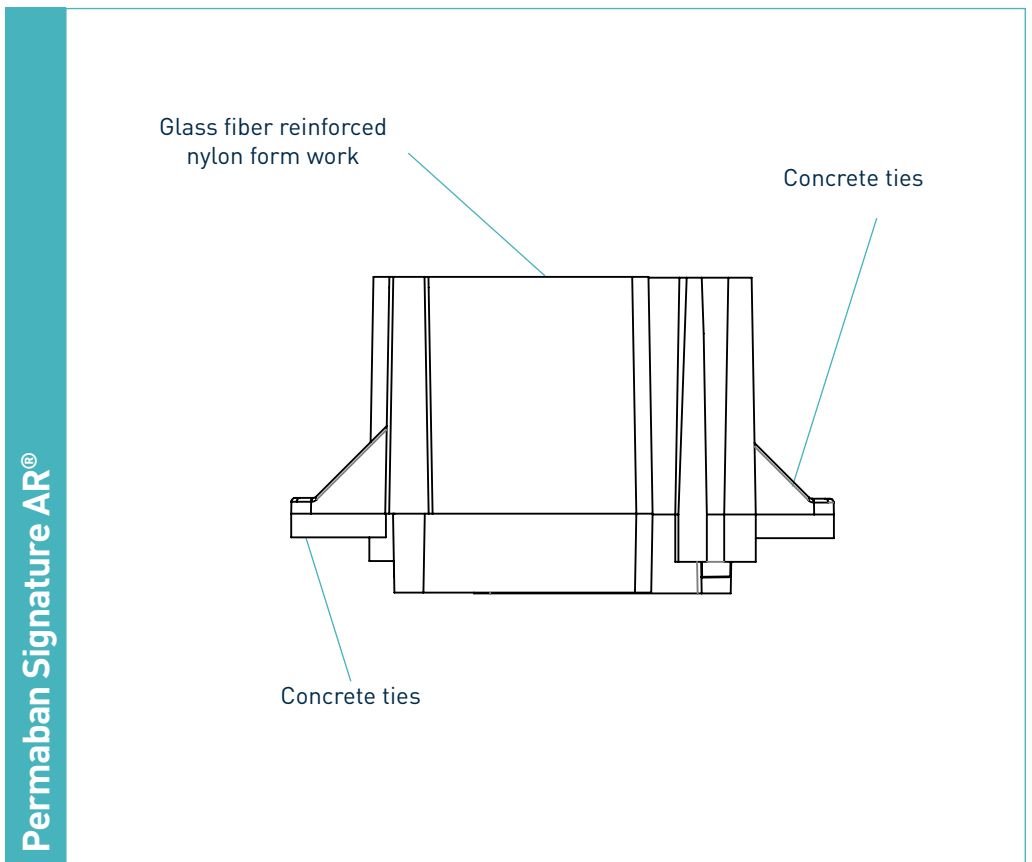
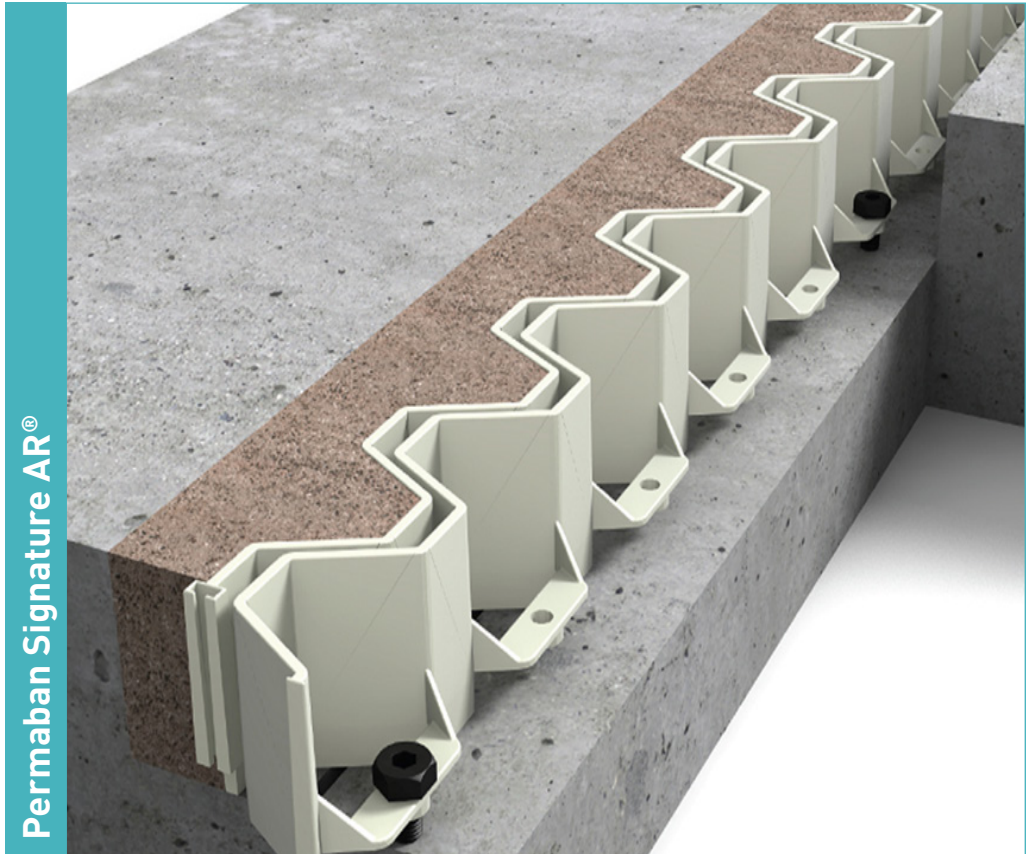


Permaban Signature AR[®]

Specification Sheet

Issue 1.4

01/09/2024



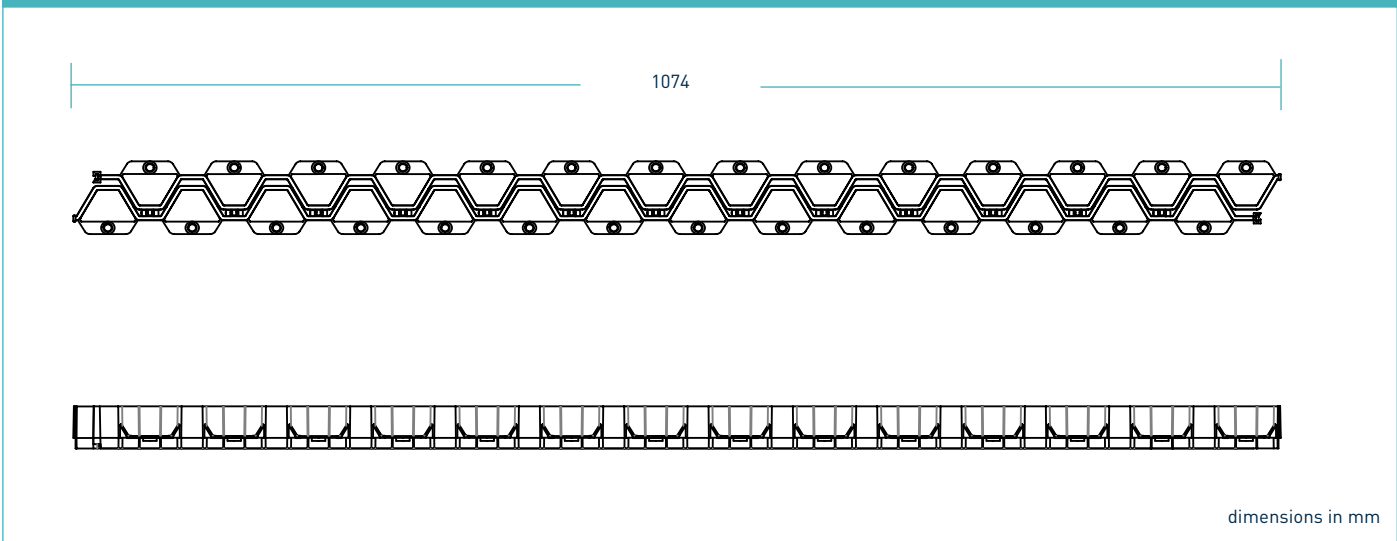
Permaban Signature AR[®]

Specification Sheet Issue 1.4
 01/09/2024

manufacturing tolerances

Length	±2.0mm	Height	±1mm	Straightness	±0.5mm/600mm
---------------	--------	---------------	------	---------------------	--------------

dimensions of Permaban Signature AR[®]



dimensions and weight of Permaban Signature AR[®]

Joint Height, h (mm)	Length (mm)	Single Joint Weight (kg)	Number Per Bundle	Weight per bundle including packaging (kg)
40	1074	0.88	25	22

materials

Component	Material
Sheet steel formwork	Glass reinforced nylon