

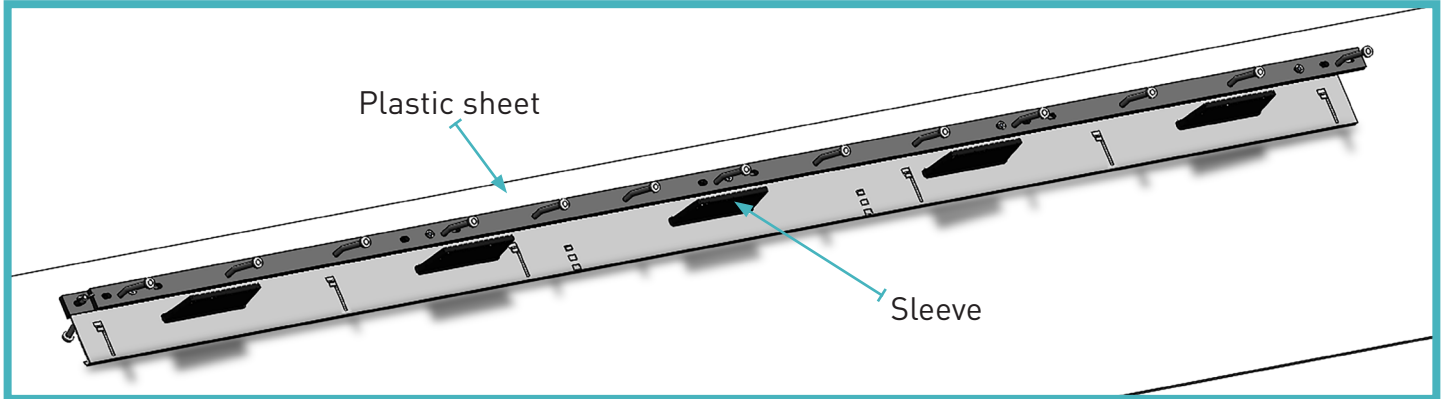
# Permaban AlphaJoint Installation Guide

## To Suit Slabs 150mm to 200mm Using Pin & Weld Method

Installation Guide Issue V3.0  
26/11/18

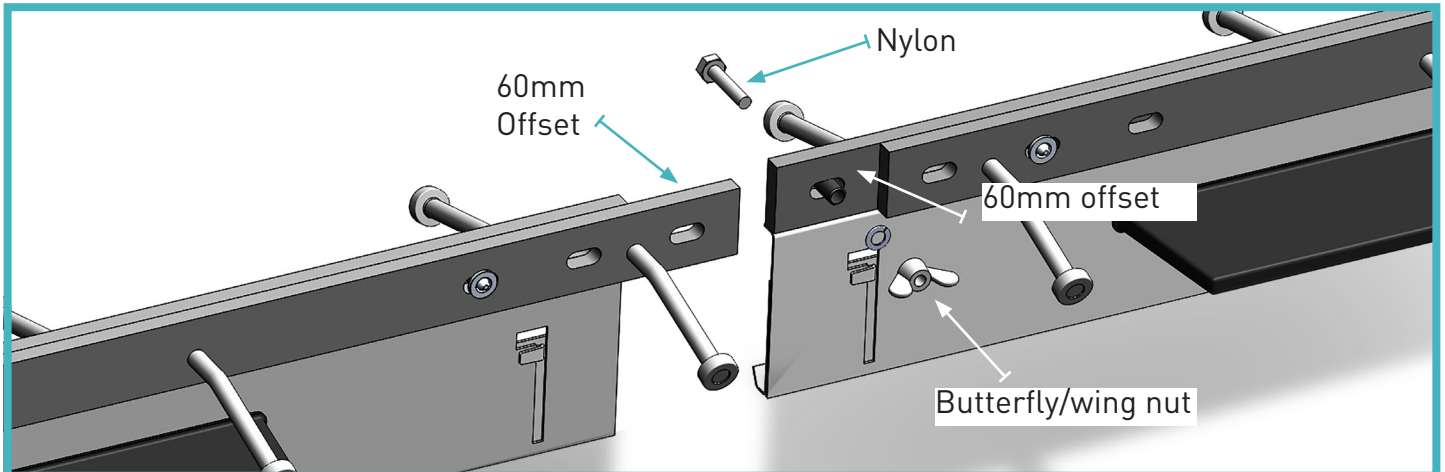
### 01 Placing the AlphaJoint

Place joints on the floor with sleeves pointing up.



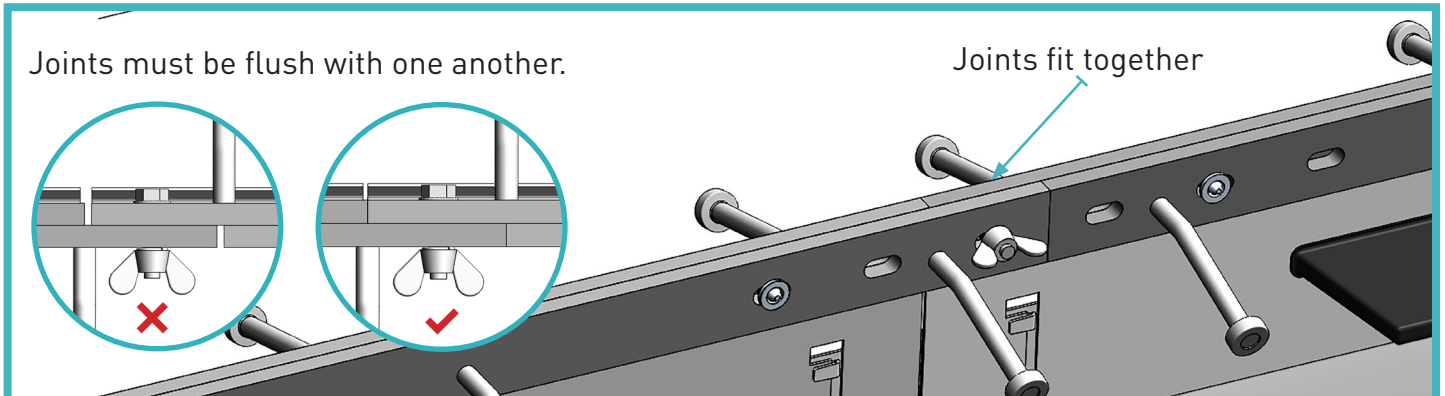
### 02 Fix joints together

Position joints end to end, unscrew the wing nut and nylon, push the 60mm offsets together and re-assemble the nylon and wing nut.



Joints must be flush with one another.

Joints fit together



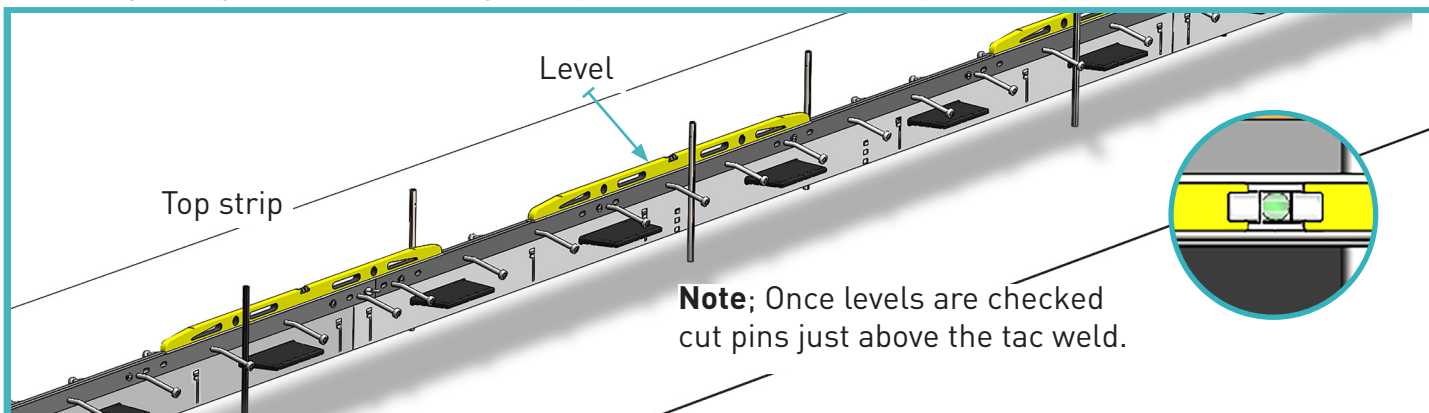
# Permaban AlphaJoint Installation Guide

## To Suit Slabs 150mm to 200mm Using Pin & Weld Method

Installation Guide Issue V3.0  
26/11/18

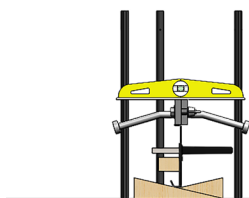
### 03 Adjust to Height

Use wedges to get the desired height required and check with a spirit level/optical level.

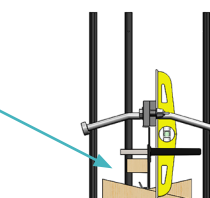


Measure the vertical and horizontal level using the top strip.

**Note;** Joints must be fixed at 90°.



Wedges



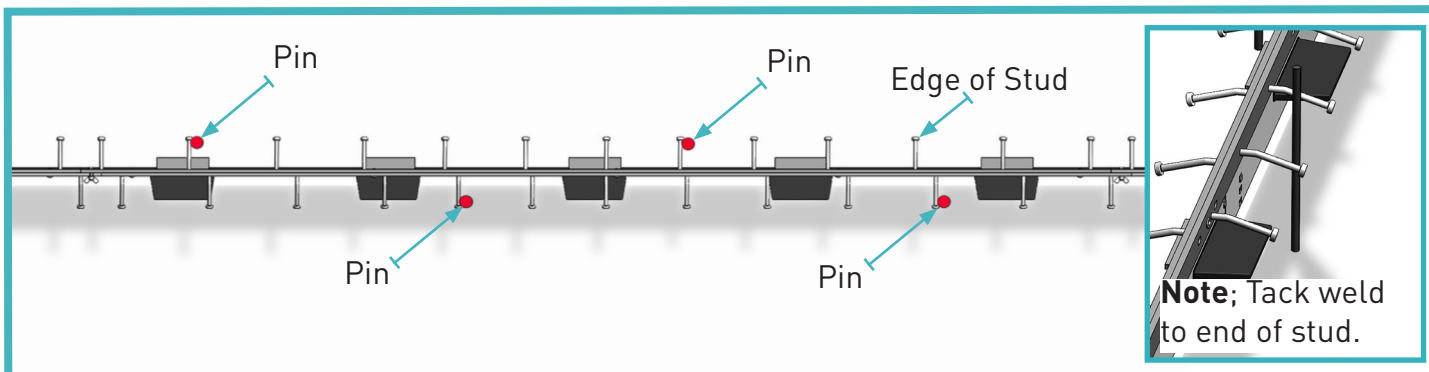
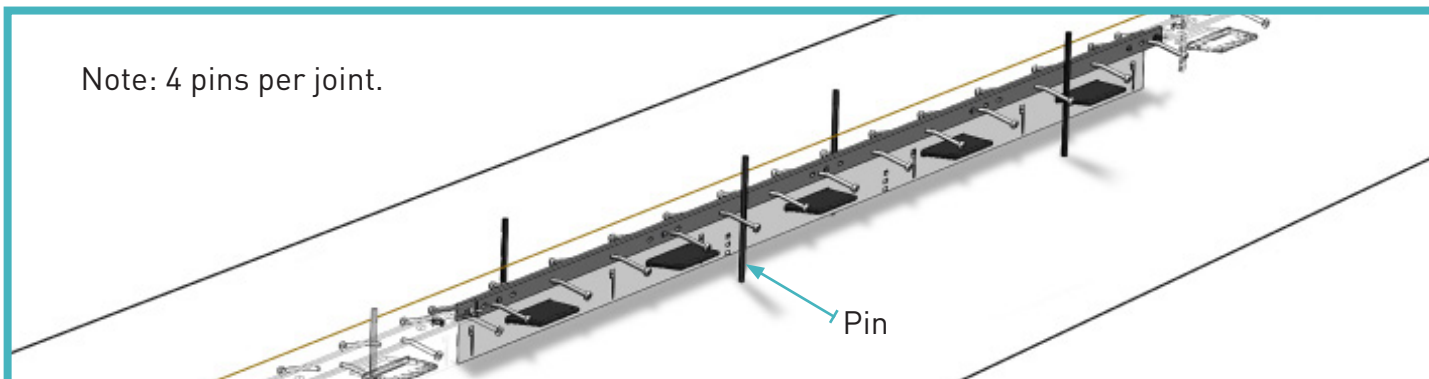
Use wedges to adjust the vertical and the horizontal.

**Note;** Check the joint is level in the 3 positions above.

### 04 Place pins

Pins are situated towards the end of the stud, then tack welded in place. The tack weld will break under the pressure of the concrete, this will allow the joint to open along the length of the stud with the pin still in place.

Note: 4 pins per joint.



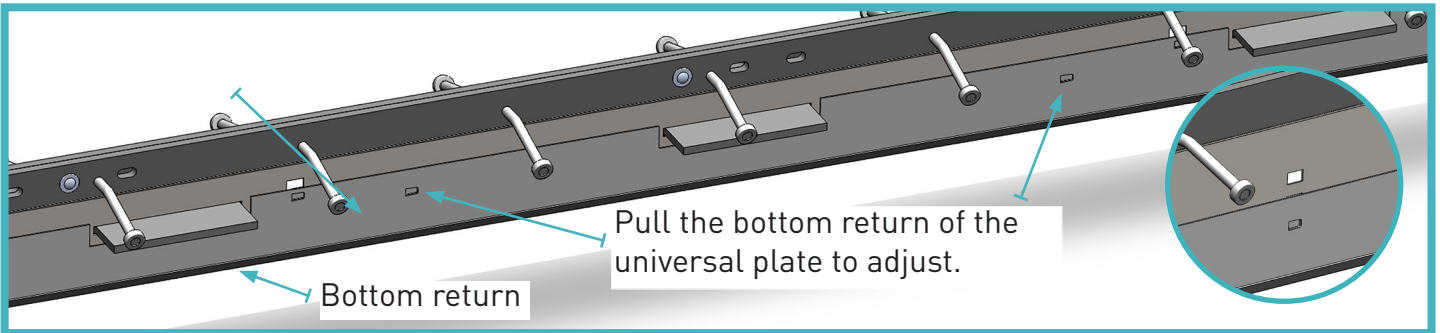
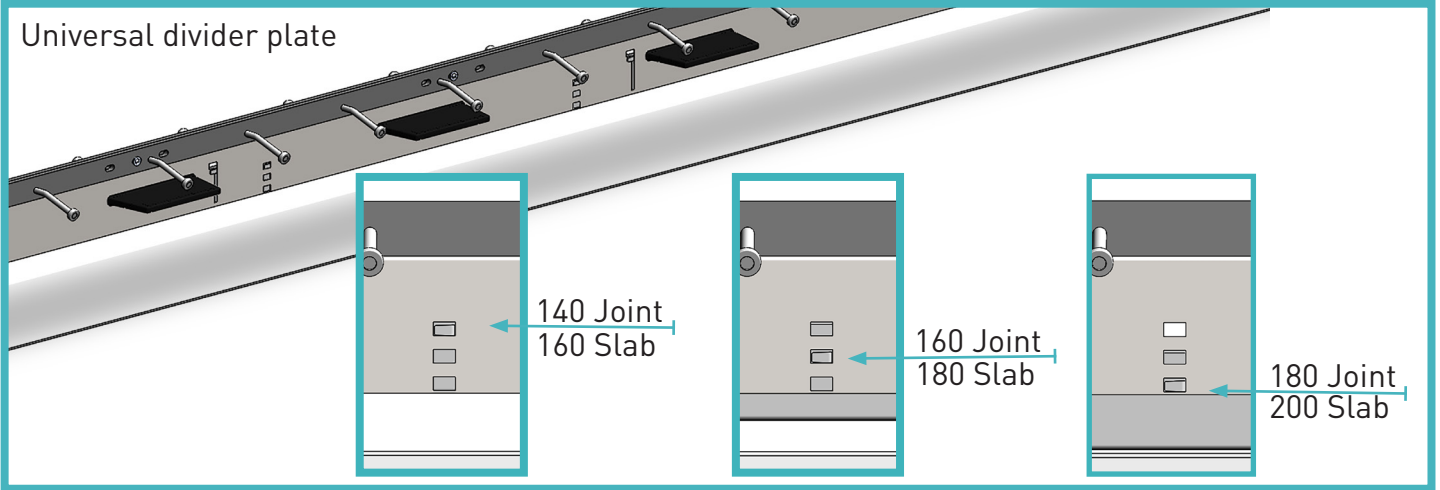
# Permaban AlphaJoint Installation Guide

To Suit Slabs 150mm to 200mm Using Pin & Weld Method

Installation Guide Issue V3.0  
26/11/18

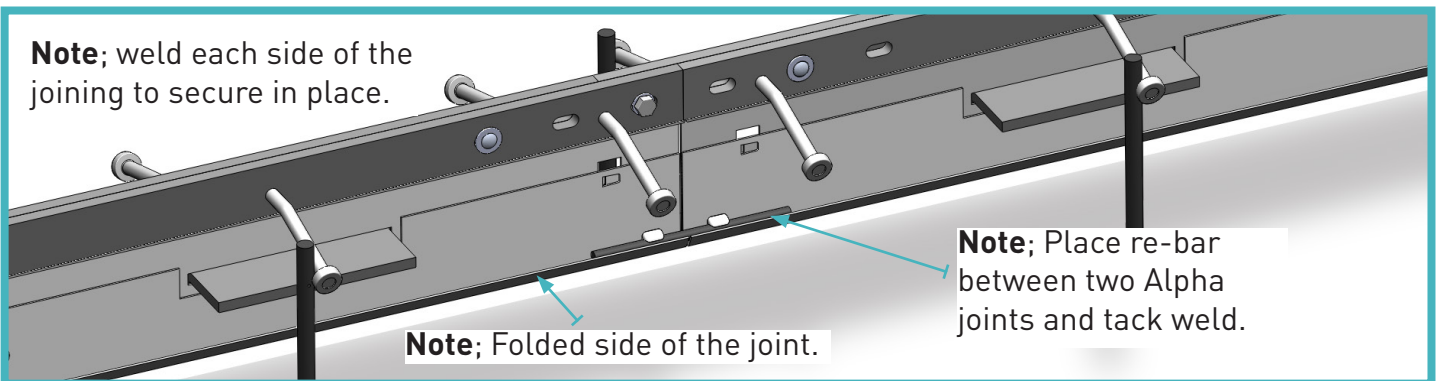
## 05 Adjust universal divider plate

To extend the universal divider plate, pull out, push down and insert.



## 06 Support bars

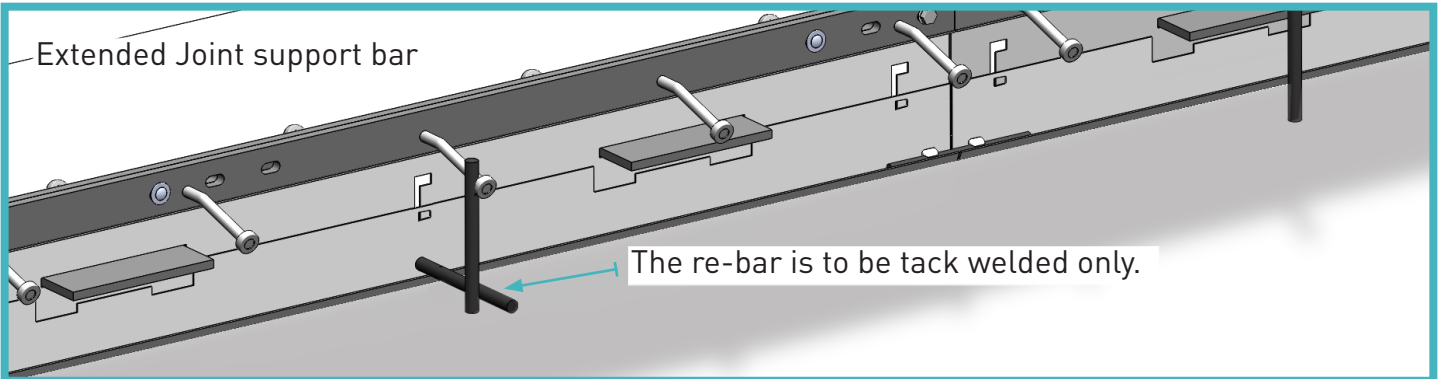
This method gives good support to the adjustable divider plate after its been adjusted.



# Permaban AlphaJoint Installation Guide

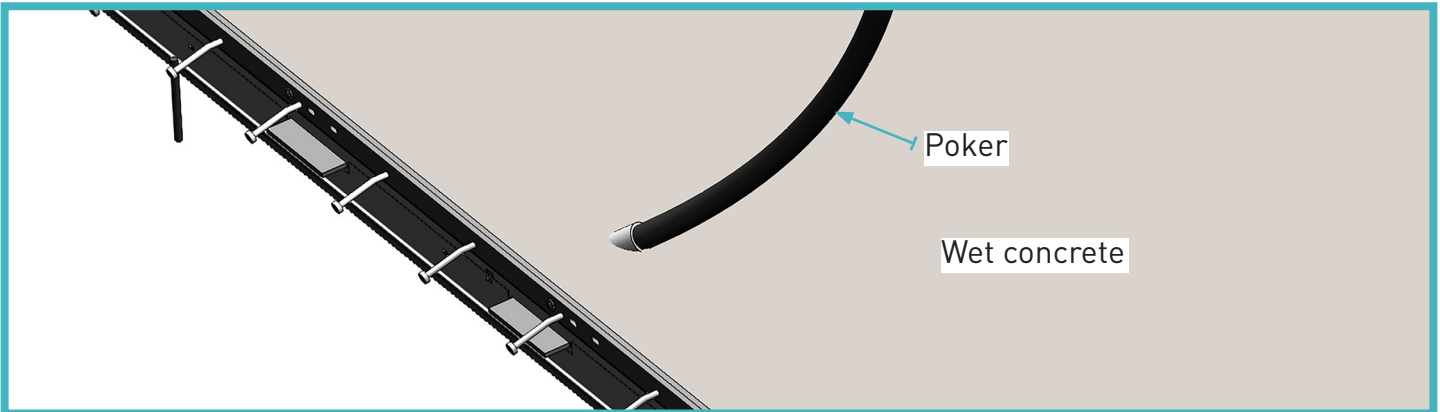
## To Suit Slabs 150mm to 200mm Using Pin & Weld Method

Installation Guide Issue V3.0  
26/11/18



### 07 Vibrate Concrete

Poker vibrate along length of the joint to compacted concrete.



### 08 Finish

Finish concrete, flush to top of the armoured joint ensuring the rail is clearly viable.