

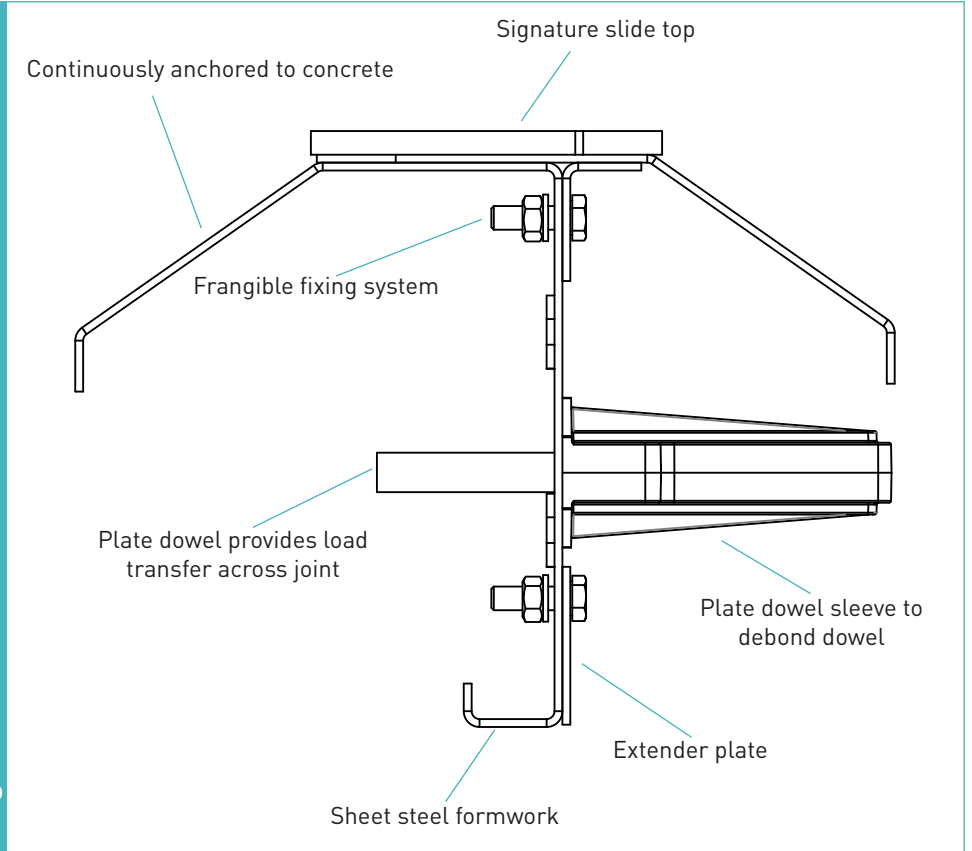
permaban Signatureslide

Specification Sheet
Issue 1.2
09/04/2019

SignatureSlide



SignatureSlide



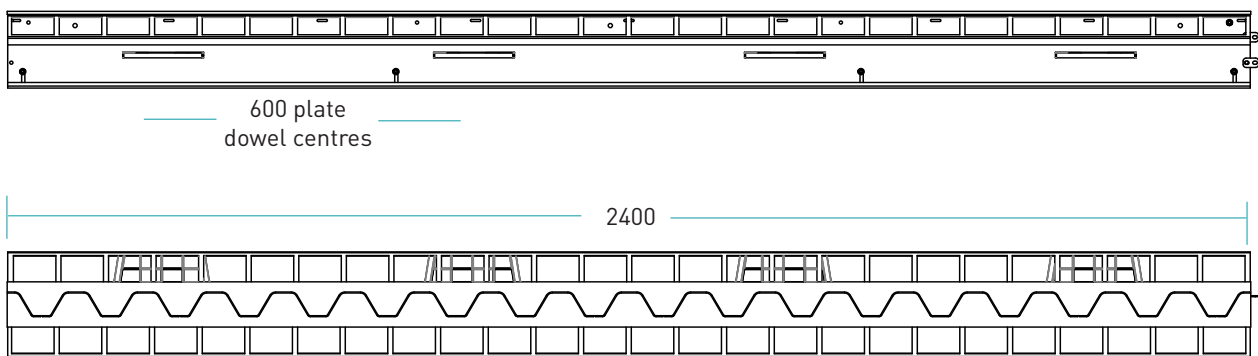
permaban SignatureSlide

Specification Sheet Issue 1.2
 09/04/2019

manufacturing tolerances

Length	±2.0mm	Height	±1mm	Straightness	±0.5mm/600mm
---------------	--------	---------------	------	---------------------	--------------

dimensions of permaban SignatureSlide



dimensions in mm

dimensions and weight of permaban SignatureSlide

Nominal Slab Depth (mm)	Joint Height, h (mm)	Dowel Size (mm)	Dowel Centres (mm)	Length (mm)	Single Joint Weight (kg)	Number Per Bundle	Bundle Weight (kg)
150	150	151 x 120 x 10	600	2400	29.47	40	1299 kg
170	175				30.47	32	1095 kg
190	200				34.47	32	1127 kg

Typical height and length values shown only. Weight values shown are based on permaban SignatureSlide including TD10 and TD8 dowels and are approximate.

materials

Component	Material
Joint arris armouring	BS 070M20
Sheet steel formwork	EN 10130: 2006 DC01
Plate dowel	BS EN 10025-2:2004 S275JR min 410 N/mm ² tensile strength
Plate dowel sleeve	HDPP

permaban SignatureSlide

Specification Sheet Issue 1.2
09/04/2019

theoretical calculated ultimate loads at failure of dowel or concrete

(for typical slabs, 40N/mm ² concrete and 200mm joint opening)		Unreinforced Slab	
Slab Depth (mm)	Dowel Type	Bursting (kN/m)	Bearing/Bending
150	TD8	31.2	87.2
	TD10	31.2	124.7
175	TD8	40.0	87.2
	TD10	40.0	124.7
200	TD8	49.9	87.2
	TD10	49.9	124.7
225	TD8	60.7	87.7
	TD10	60.7	124.7
250	TD8	72.4	87.7
	TD10	72.4	124.7
275	TD8	85.6	87.7
	TD10	85.6	124.7
300	TD8	86.9	87.7
	TD10	86.9	124.7

Ultimate load (kN/m)

Permaban joints are compatible with all grades of concrete in accordance with EN206. This table shows the load at failure in bursting (failure of the concrete) and bending (failure of the dowel) for a joint opening of 20mm - larger joint openings can be accommodated. The ultimate load has been calculated in accordance with TR34 4th Edition. Dowel position taken at mid depth of slab. For more detailed analysis please contact RCR Flooring Products Ltd.

*All design calculations should be verified by a suitably qualified structural engineer.

