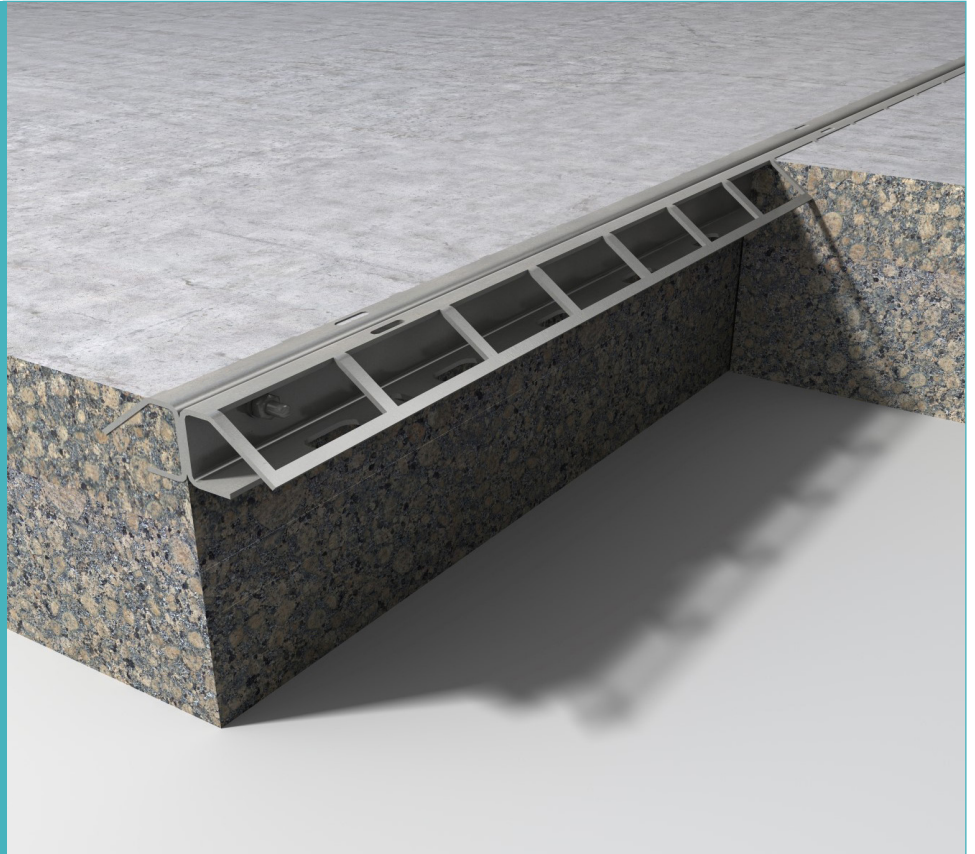


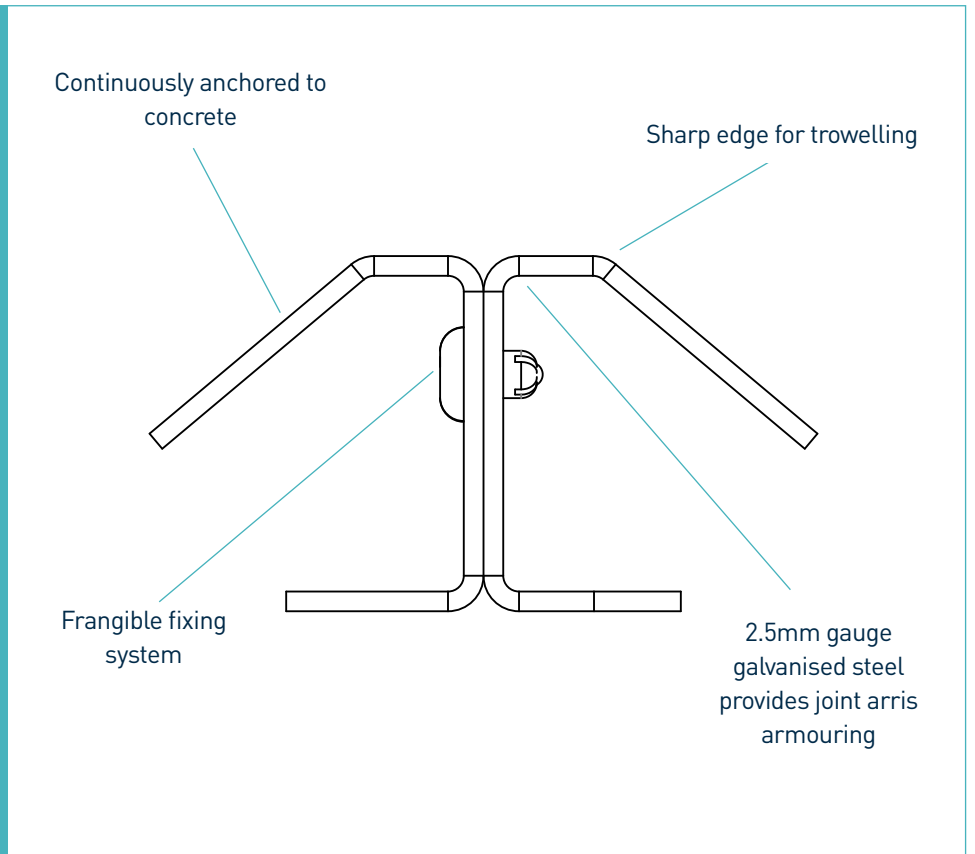
# BetaEdge

Specification Sheet  
Issue 3.8  
12/11/2019

BetaEdge



BetaEdge



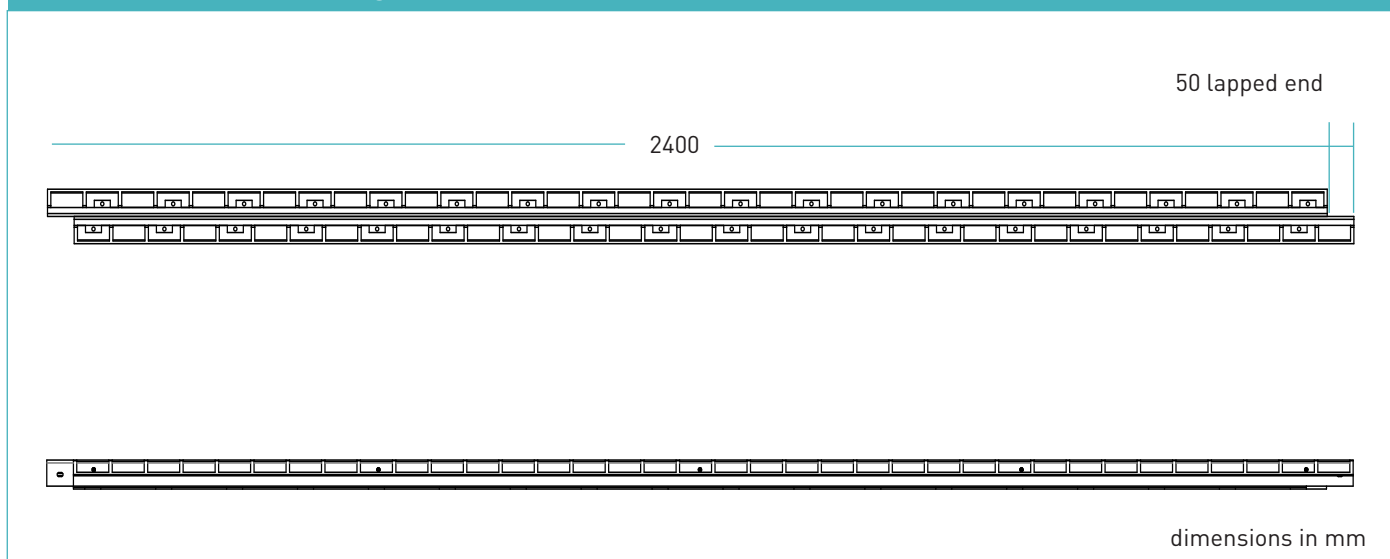
# BetaEdge

Specification Sheet Issue 3.8  
 12/11/2019

## manufacturing tolerances

<b>Length</b>	±2.0mm	<b>Height</b>	±1mm	<b>Straightness</b>	±0.5mm/600mm
---------------	--------	---------------	------	---------------------	--------------

## dimensions of BetaEdge



## dimensions and weight of BetaEdge

Joint Height, h (mm)	Length (mm)	Single Joint Weight (kg)	Number Per Bundle	Bundle Weight (kg)
45	2400	5.76	240	1502.4

Typical height and length values shown only. Weight values shown are approximate.

## materials

Component	Material
Joint arris armouring	EN 10346: 2015 Dx514+Z