

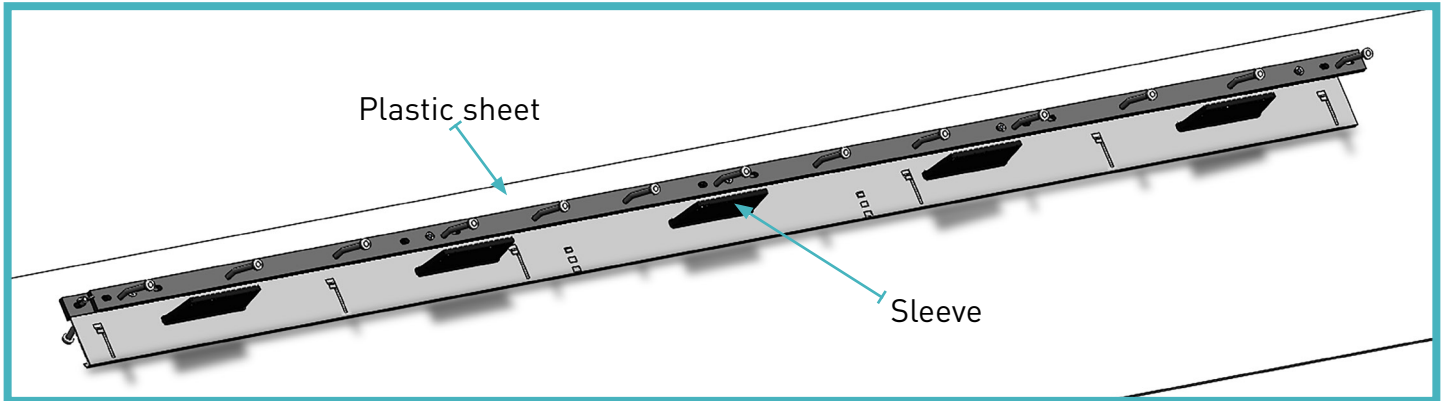
Permaban AlphaJoint Installation Guide

To Suit Slabs 150mm to 200mm Using AlphaFix Method

Installation Guide Issue 3.0
26/11/18

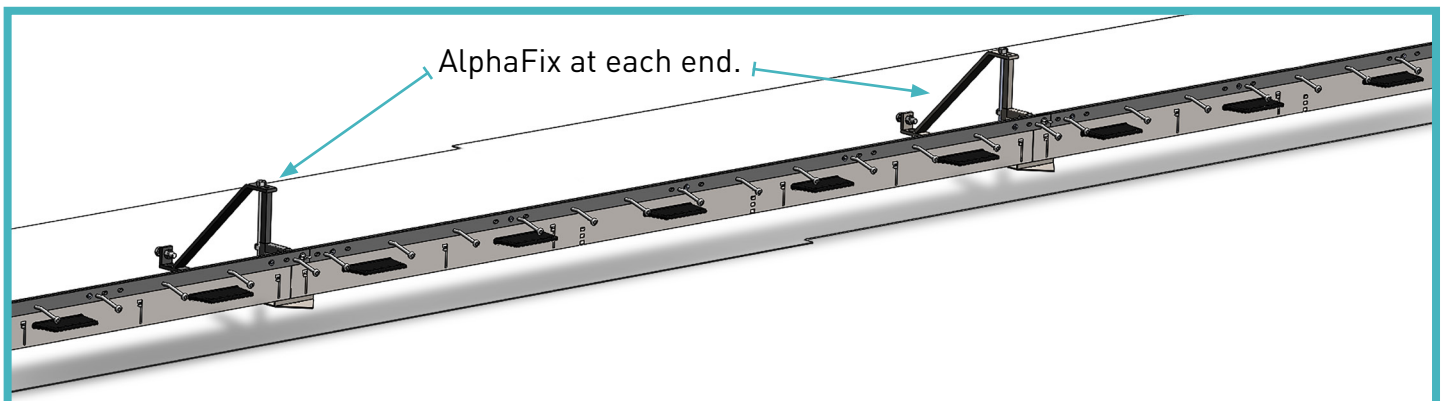
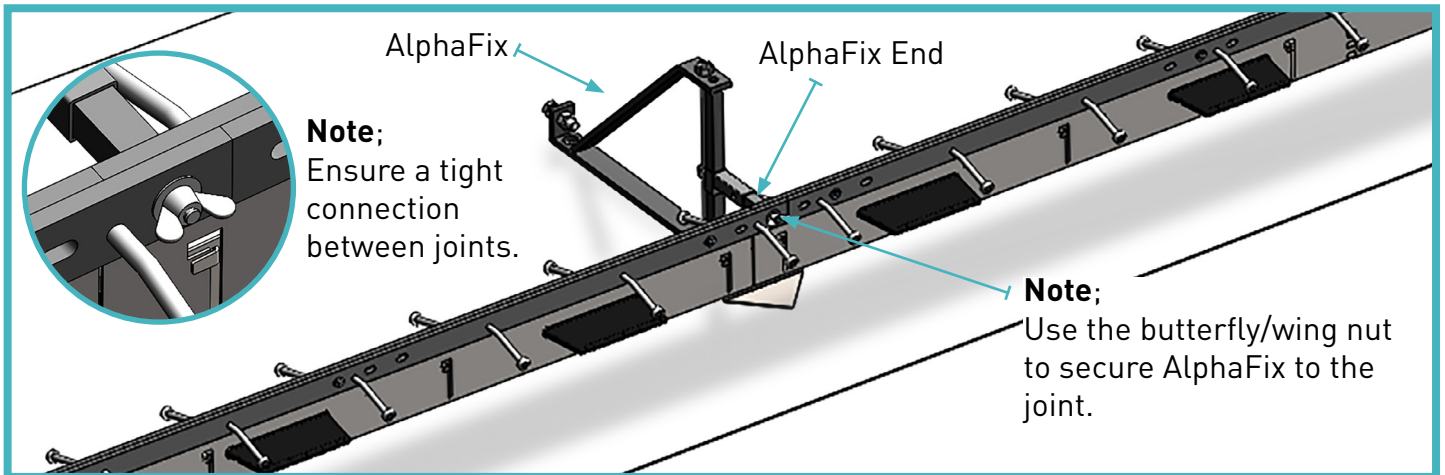
01 Placing the AlphaJoint

Place joints on the floor with sleeves pointing up.



02 Assemble Joint to AlphaFix

Position AlphaFix at joining holes. Use one AlphaFix at each end of the joint.



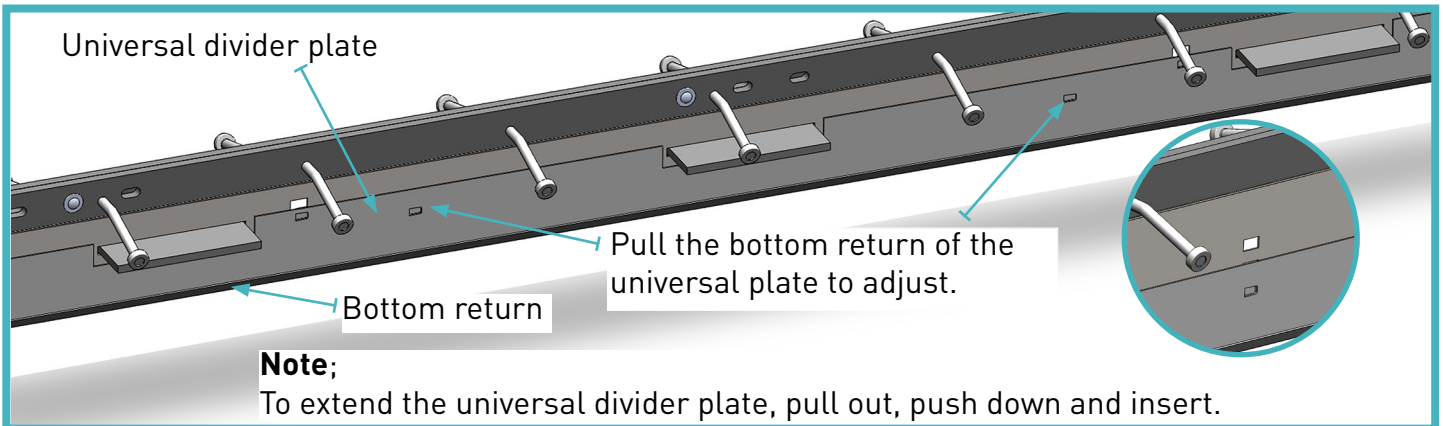
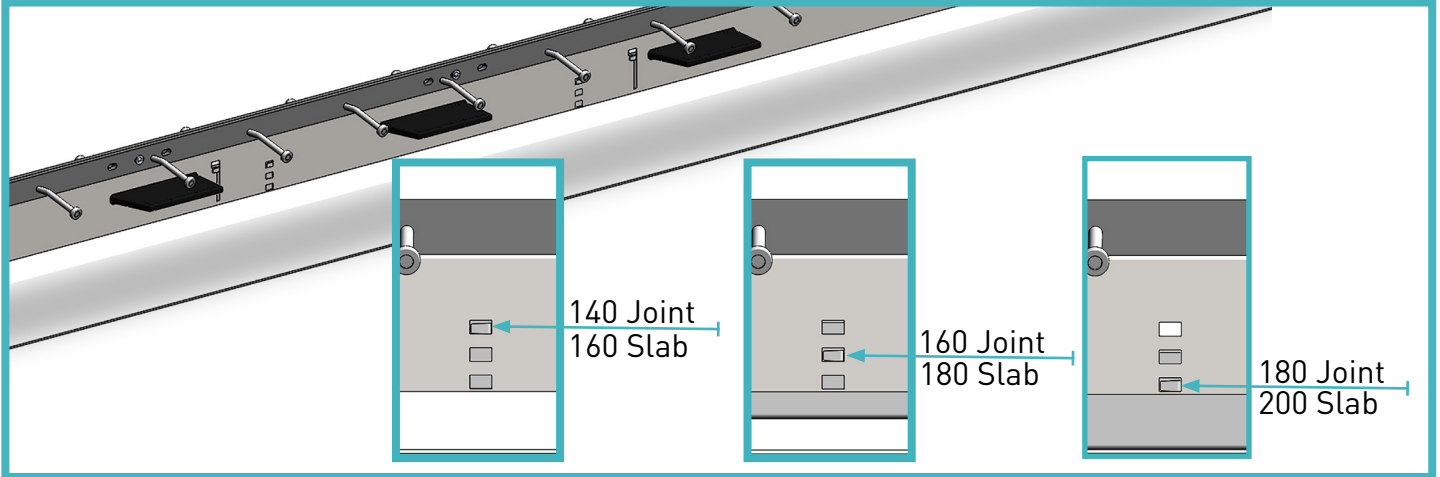
Permaban AlphaJoint Installation Guide

To Suit Slabs 150mm to 200mm Using AlphaFix Method

Installation Guide Issue 3.0
26/11/18

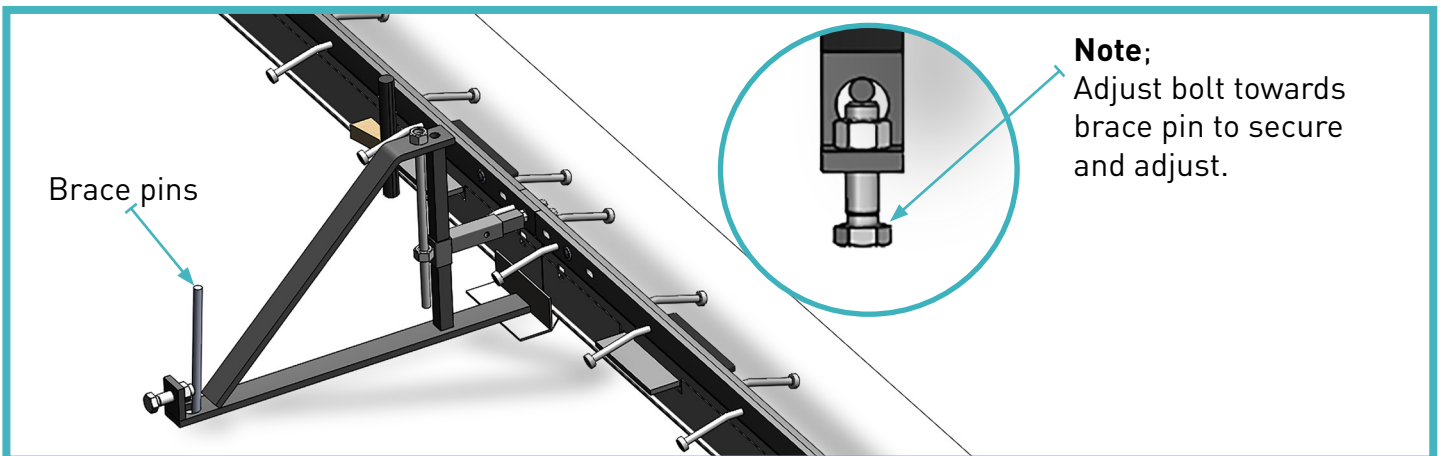
03 Set AlphaJoint to Correct Slab Depth

AlphaJoint universal divider plate has 3 different size positions which can suit 3 slab depths.



04 Brace the Joint through AlphaFix Hole

Joint to follow the string-line.



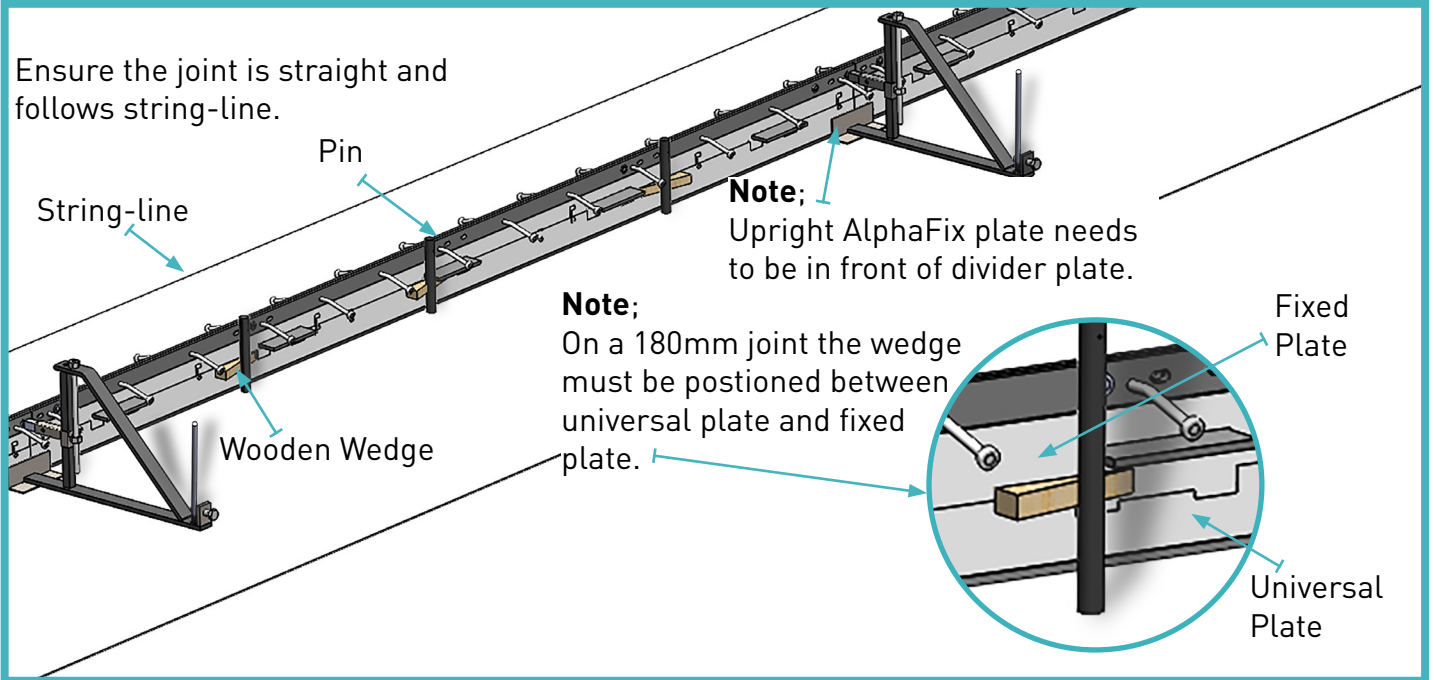
Permaban AlphaJoint Installation Guide

To Suit Slabs 150mm to 200mm Using AlphaFix Method

Installation Guide Issue 3.0
26/11/18

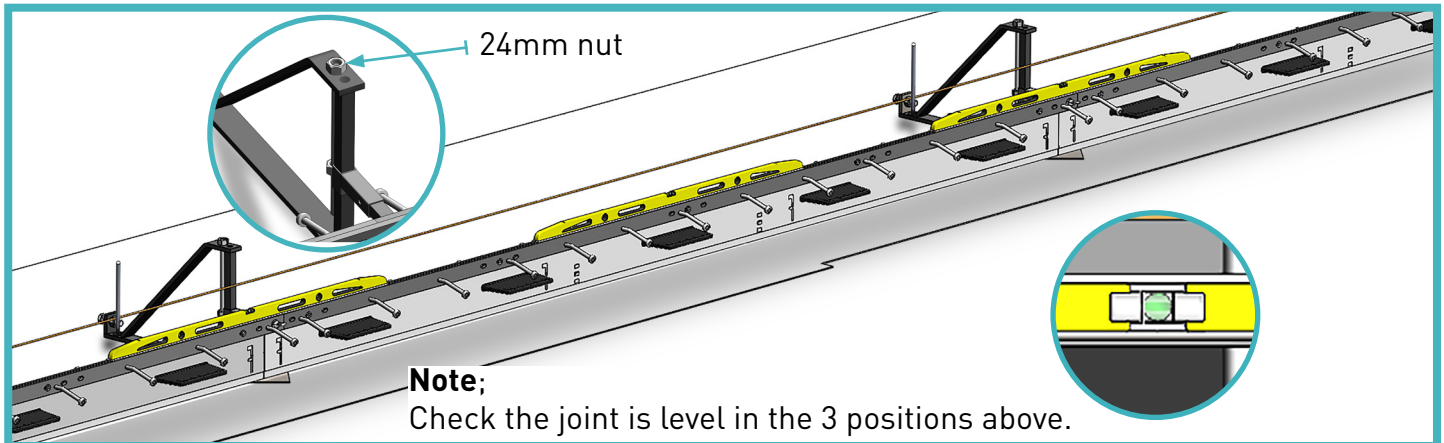
05 Pin and Wedging

Use 3 pins and 3 wedges per joint.

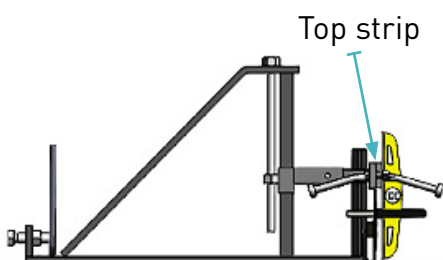


06 Adjust to Height

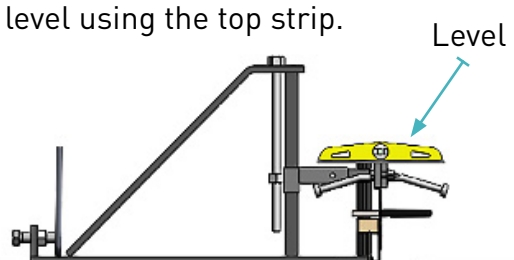
Check height is correct, adjust the 24mm nut on top of the AlphaFix to achieve height required, ensuring the joint is level using a spirit level/optical level.



Note;
Joints must be fixed at 90°.



Note;
Measure the vertical and horizontal level using the top strip.



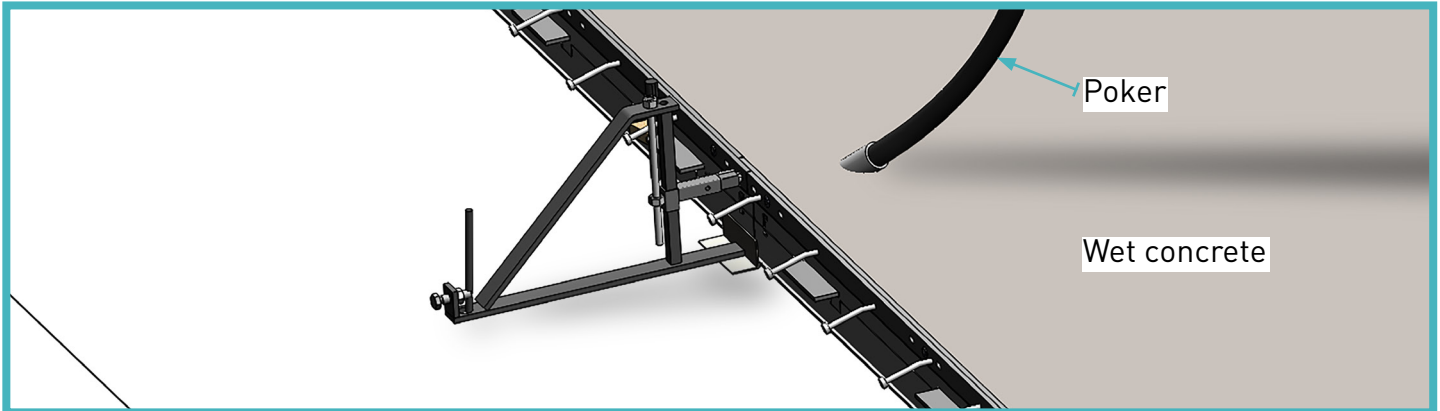
Permaban AlphaJoint Installation Guide

To Suit Slabs 150mm to 200mm Using AlphaFix Method

Installation Guide Issue 3.0
26/11/18

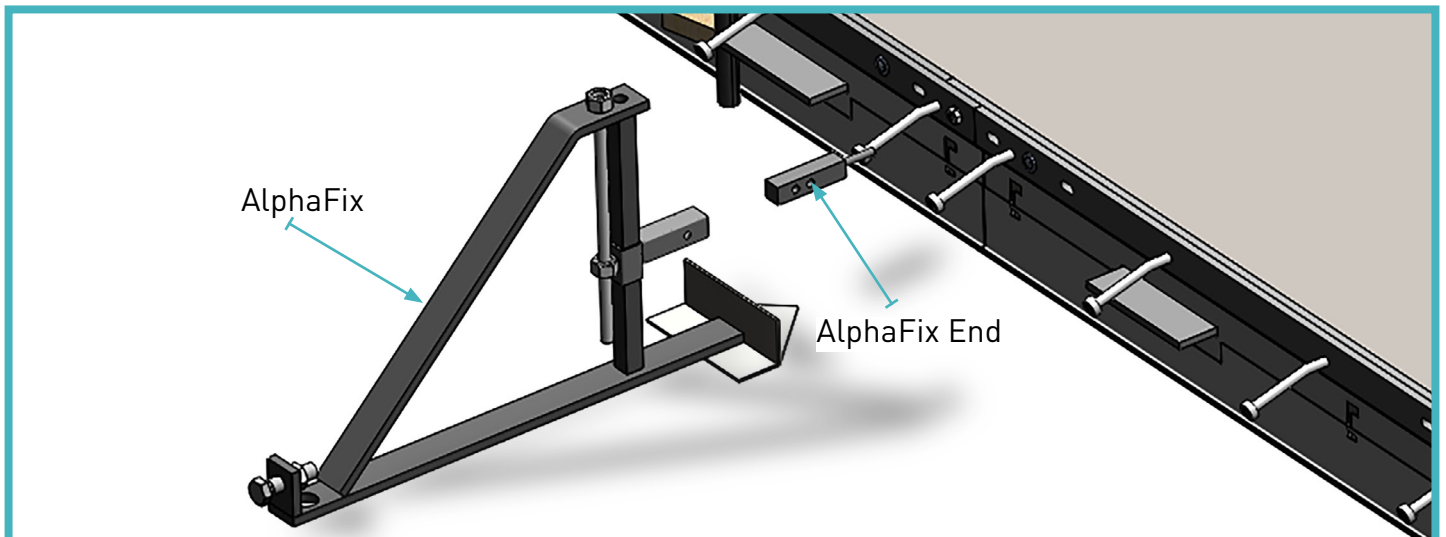
07 Vibrate Concrete

Poker vibrate along length of the joint to compacted concrete.



08 Remove AlphaFix

Once the concrete is set, remove AlphaFix body from the AlphaFix End by unscrewing bolt through the 20x20 box. Then unscrew the AlphaFix End from the joint.



09 Finish

Finish concrete, flush to top of the armoured joint ensuring the rail is clearly viable.