

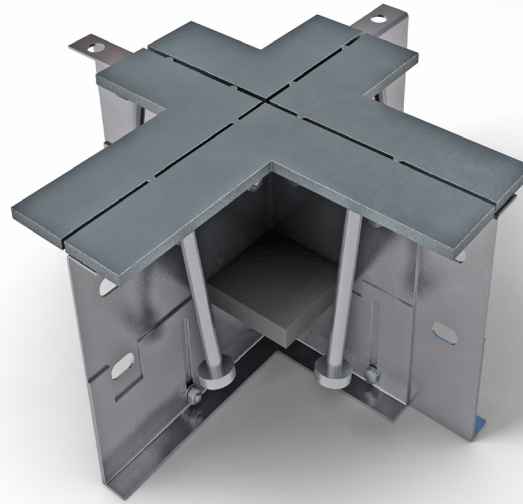
Permaban Wave® 4-Way

Specification Sheet

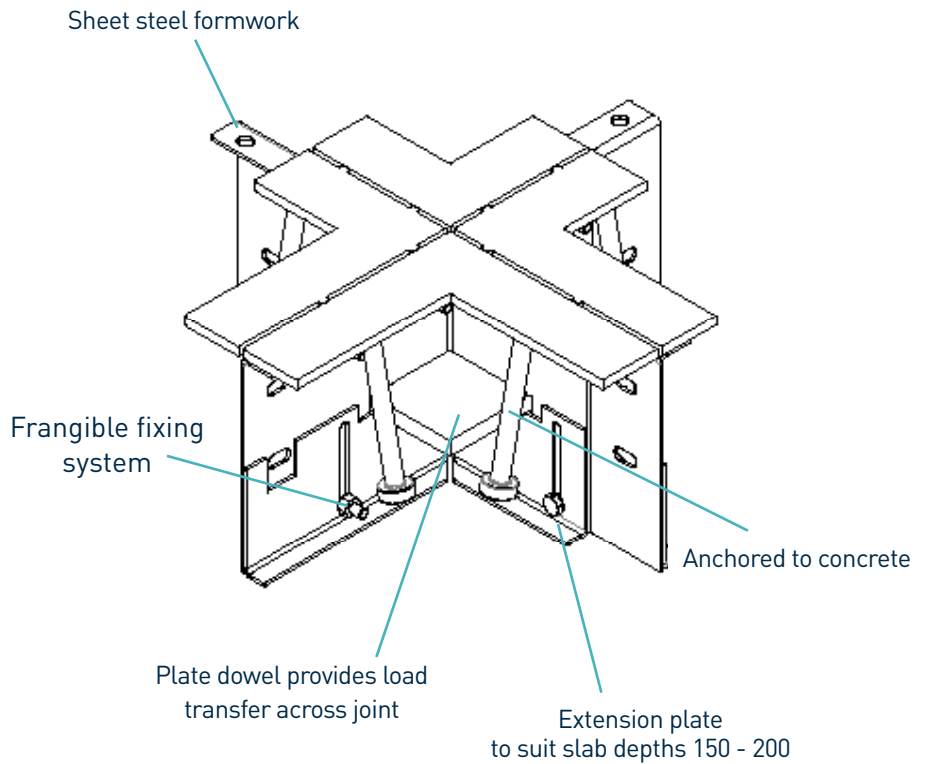
Issue 1.2

25/06/2020

Permaban Wave® 4-Way



Permaban Wave® 4-Way



*Also available in galvanised and stainless steel plus fixed heights

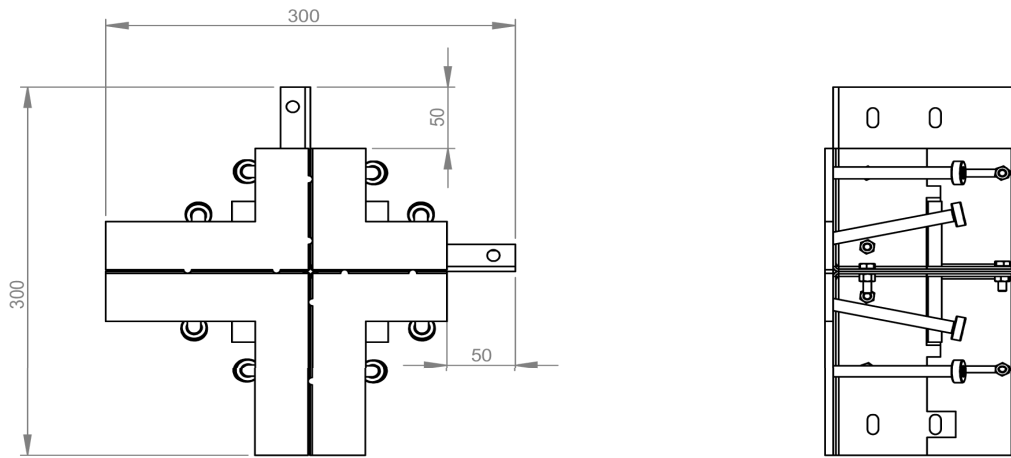
Permaban Wave® 4-Way

Specification Sheet Issue 1.2
25/06/2020

manufacturing tolerances

Length	±2.0mm	Height	±1mm	Straightness	±0.5mm/600mm
---------------	--------	---------------	------	---------------------	--------------

dimensions of Permaban Wave® 4-Way



dimensions and weight of Permaban Wave® 4-Way

Accessory	Width (mm)	Length (mm)	Single Weight (kg)	Number Per Bundle	Bundle Weight (kg)
4-Way	350	300	6	84	536

Typical height and length values shown only.

materials

Component	Material
Non impact steel top provides joint arris	S275JR / BS EN 10088-2 1.4301 304L
Sheet steel formwork	BS EN 1030:2006 DC01
Plate dowel	BS EN 10025-2:2004 S275JRG2
Plate dowel sleeve	HDPP