

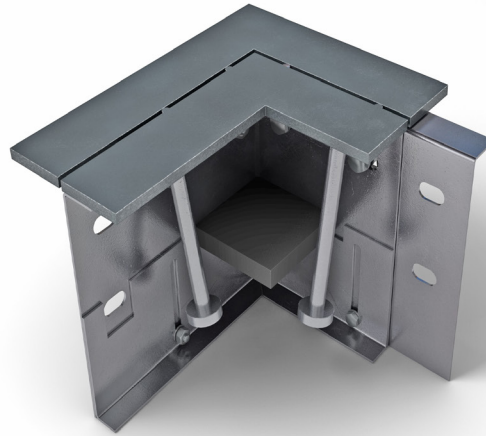
# Permaban Wave® DOCK

Specification Sheet

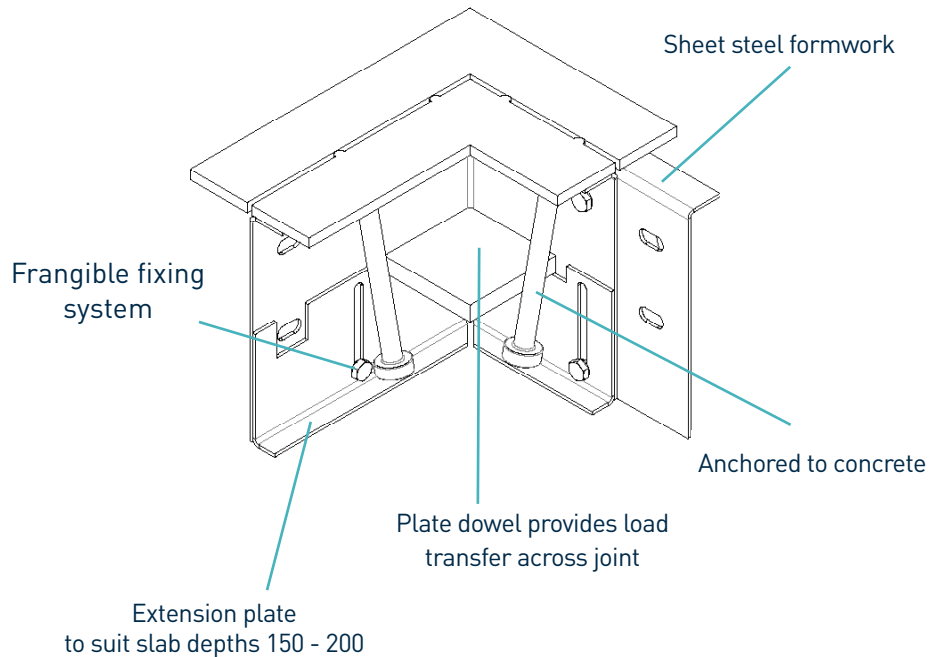
Issue 1.2

25/06/2020

Permaban Wave® Dock



Permaban Wave® Dock



Also available in galvanised and stainless steel plus fixed heights  
Please note Docks are supplied as a pair

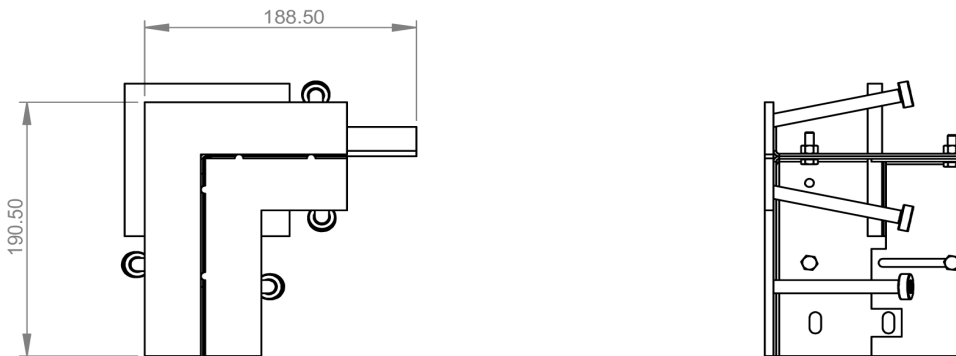
# Permaban Wave® Dock

Specification Sheet Issue 1.2  
25/06/2020

## manufacturing tolerances

<b>Length</b>	±2.0mm	<b>Height</b>	±1mm	<b>Straightness</b>	±0.5mm/600mm
---------------	--------	---------------	------	---------------------	--------------

## dimensions of Permaban Wave® Dock



## dimensions and weight of Permaban Wave® Dock

Accessory	Width (mm)	Length (mm)	Single Weight (kg)	Number Per Bundle	Bundle Weight (kg)
Dock (pair)	188.50	190.50	7	35	279

Typical height and length values shown only.

## materials

Component	Material
Non impact steel top provides joint arris	S275JR / BS EN 10088-2 1.4301 304L
Sheet steel formwork	BS EN 1030:2006 DC01
Plate dowel	BS EN 10025-2:2004 S275JRG2
Plate dowel sleeve	HDPP