

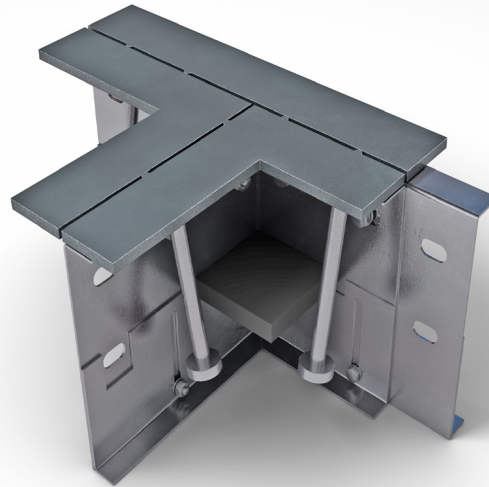
# Permaban Wave® T-Section

Specification Sheet

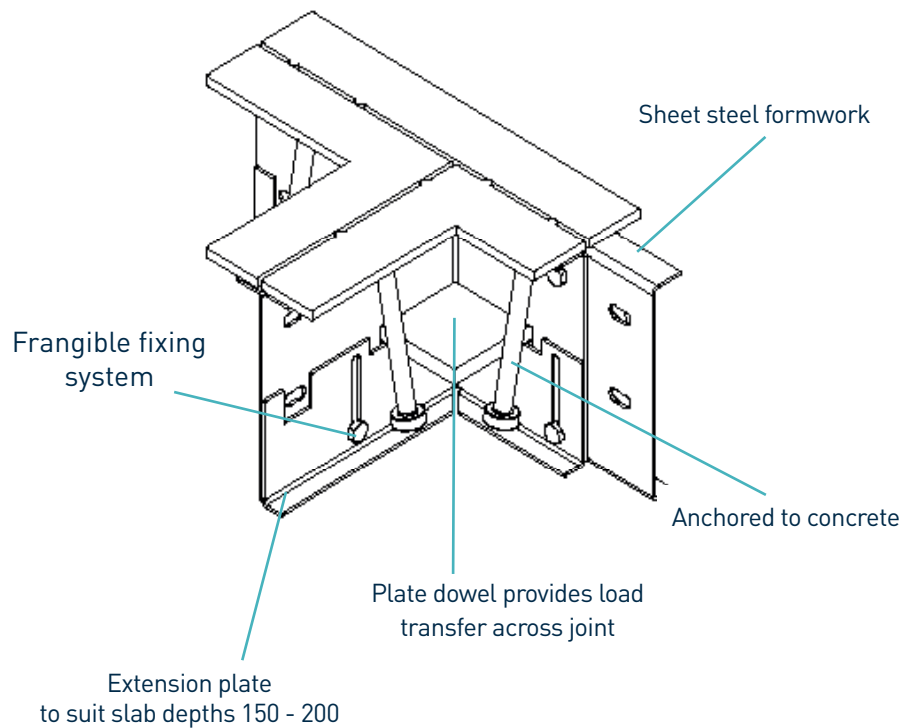
Issue 1.2

25/06/2020

## Permaban Wave® T-Section



## Permaban Wave® T-Section



\*Also available in galvanised and stainless steel plus fixed heights

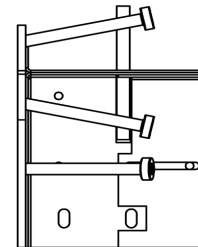
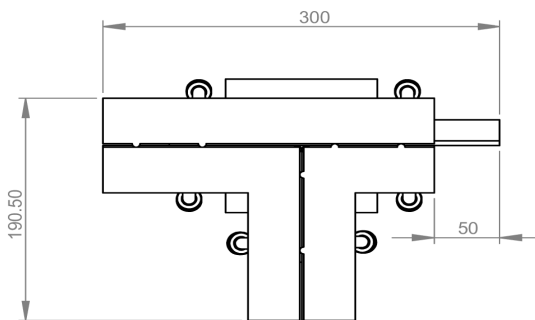
# Permaban Wave® T-Section

Specification Sheet Issue 1.1  
25/06/2020

## manufacturing tolerances

<b>Length</b>	±2.0mm	<b>Height</b>	±1mm	<b>Straightness</b>	±0.5mm/600mm
---------------	--------	---------------	------	---------------------	--------------

## dimensions of Permaban Wave® T-Section



## dimensions and weight of Permaban Wave® T-Section

Accessory	Width (mm)	Length (mm)	Single Weight (kg)	Number Per Bundle	Bundle Weight (kg)
T-Section	350	190.50	5	84	452

Typical height and length values shown only.

## materials

Component	Material
Non impact steel top provides joint arris	S275JR / BS EN 10088-2 1.4301 304L
Sheet steel formwork	BS EN 1030:2006 DC01
Plate dowel	BS EN 10025-2:2004 S275JRG2
Plate dowel sleeve	HDPP