

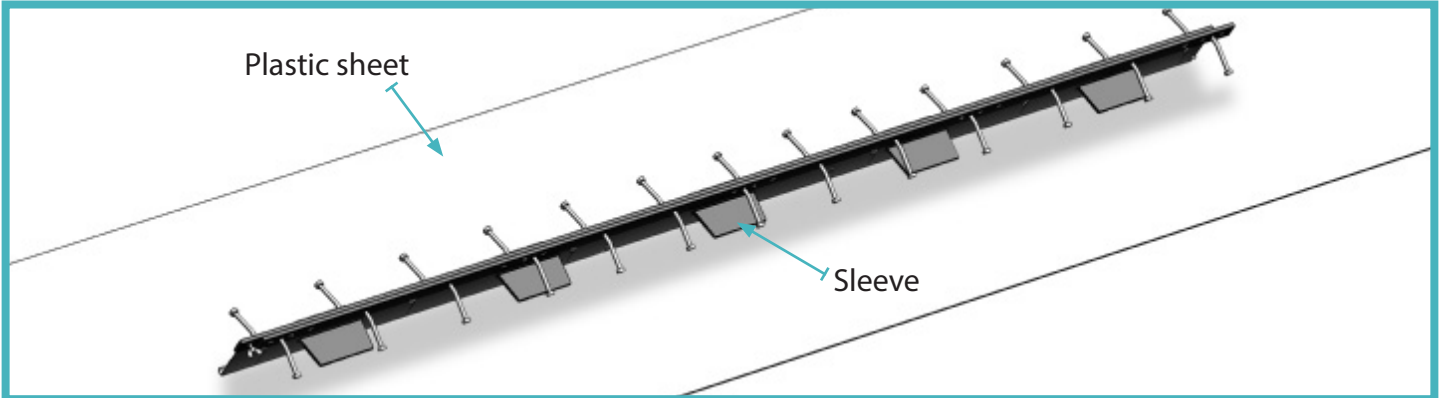
Permaban AlphaJoint Installation Guide

Using AlphaFeet Method

Installation Guide Issue V4.0
12/01/21

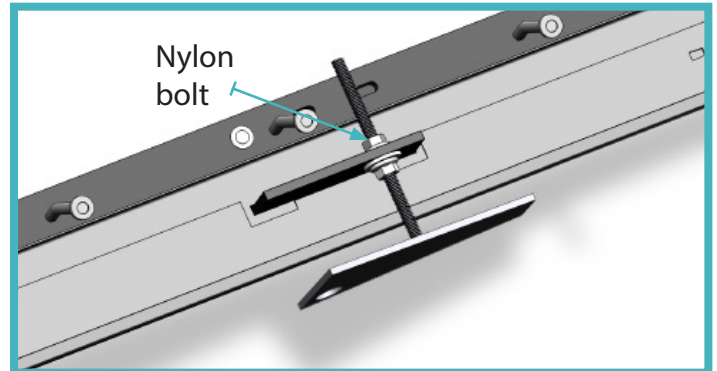
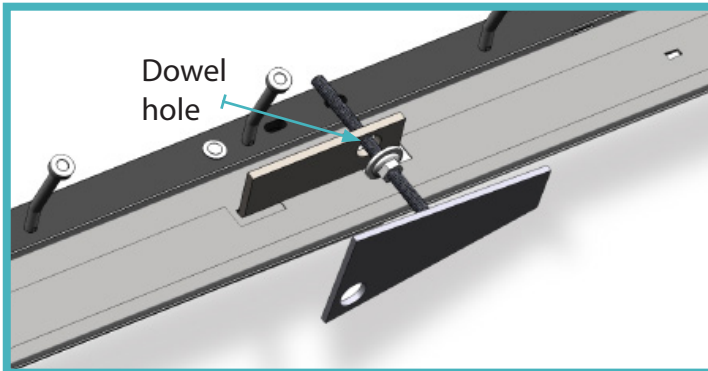
01 Placing the AlphaJoint

Place joints on the floor with sleeves pointing down.



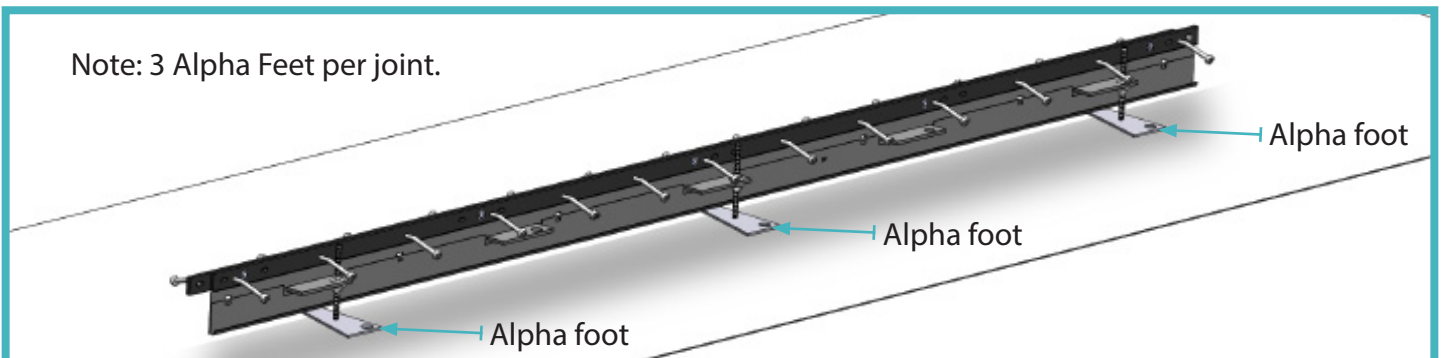
02 Insert 3 AlphaFeet per Joint

Slightly tilt Joint and insert AlphaFoot through the hole of the dowel, then screw on the nylon bolt to secure in place.



Once nylon bolt is secure, pull joint towards you and stand the Joint upright.

Note: 3 Alpha Feet per joint.

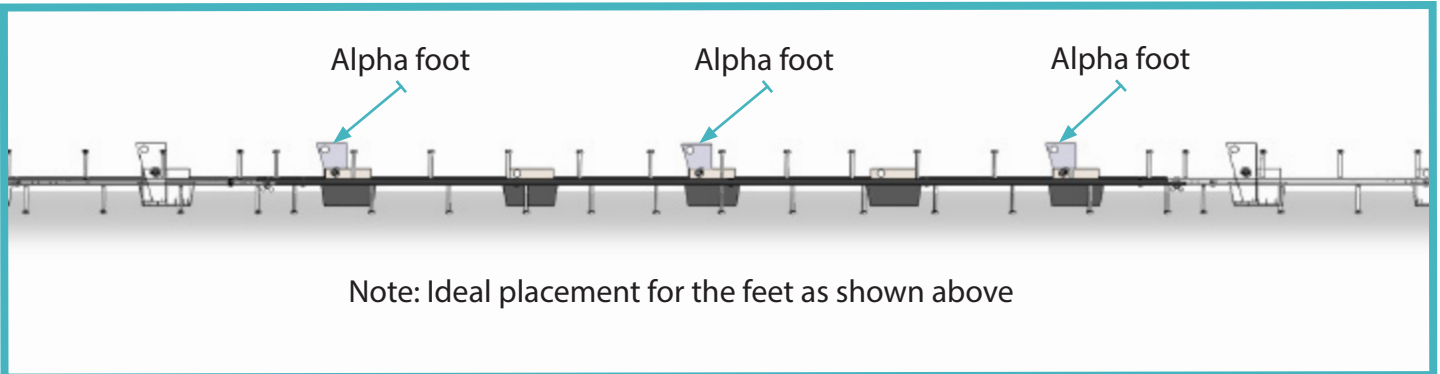


Permaban AlphaJoint Installation Guide

Using AlphaFeet Method

Installation Guide Issue V4.0

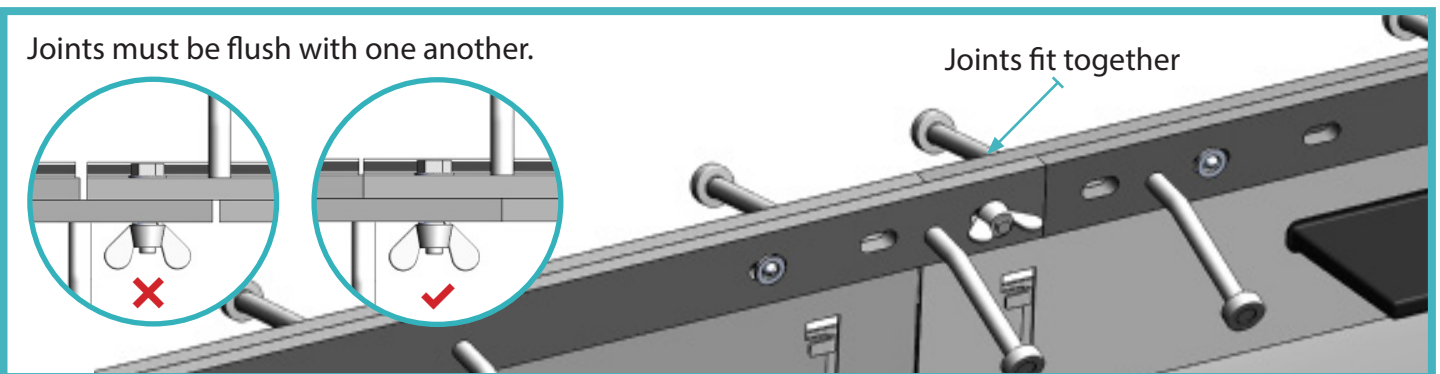
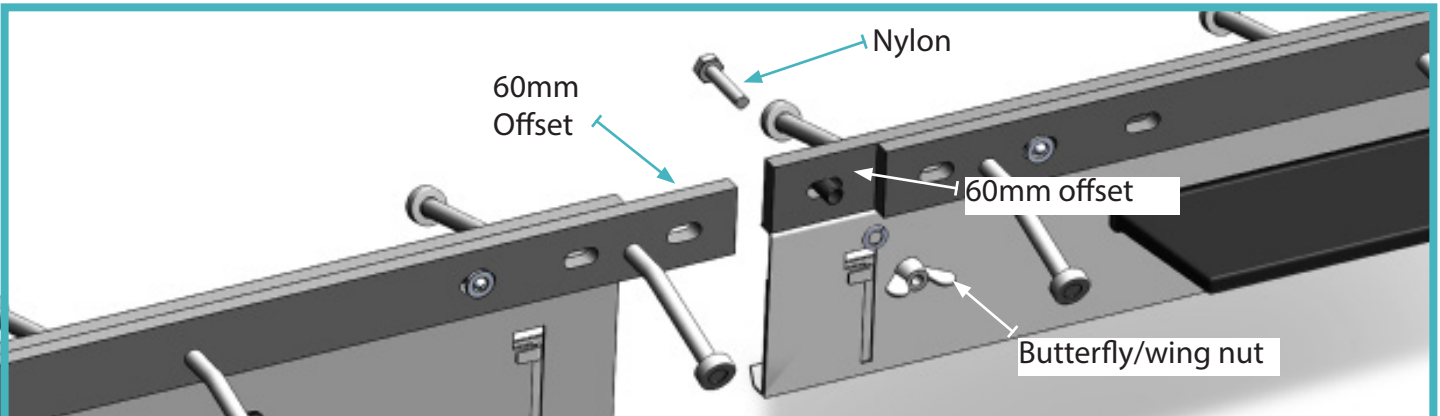
12/01/21



03 Fix joints together

Position joints end to end, unscrew the wing nut and nylon, push the 60mm offsets together and re-assemble.

Note: The 4010 top strip may move laterally during transit and require minor realignment during installation.



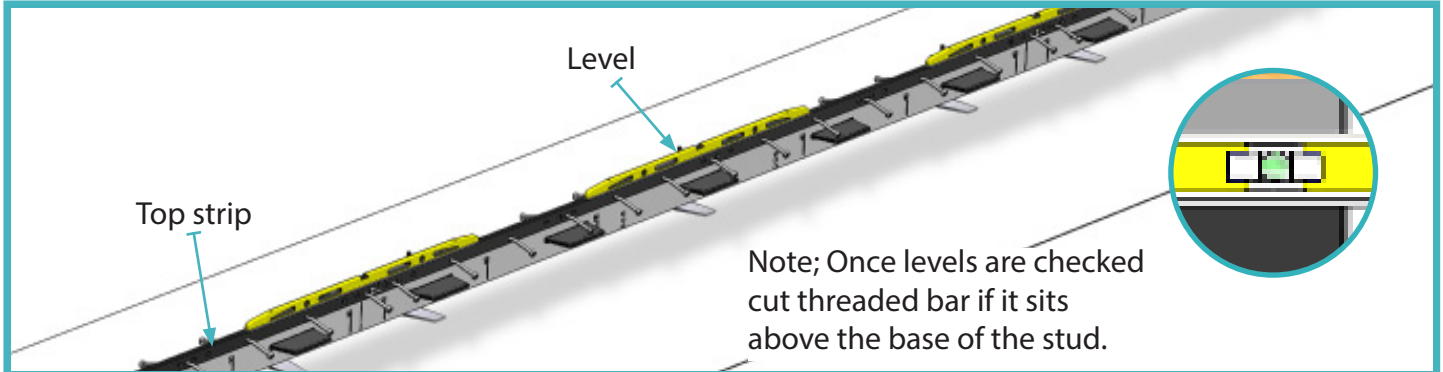
Permaban AlphaJoint Installation Guide

Using AlphaFeet Method

Installation Guide Issue V4.0
12/01/21

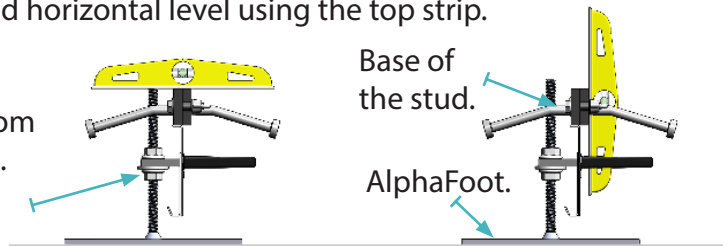
04 Adjust to Height

Use the adjustment bolt on the AlphaFoot to get the desired height required, and check with a spirit level/optical level.



Measure the vertical and horizontal level using the top strip.

Note: Adjust the bottom nut to get the desired height.

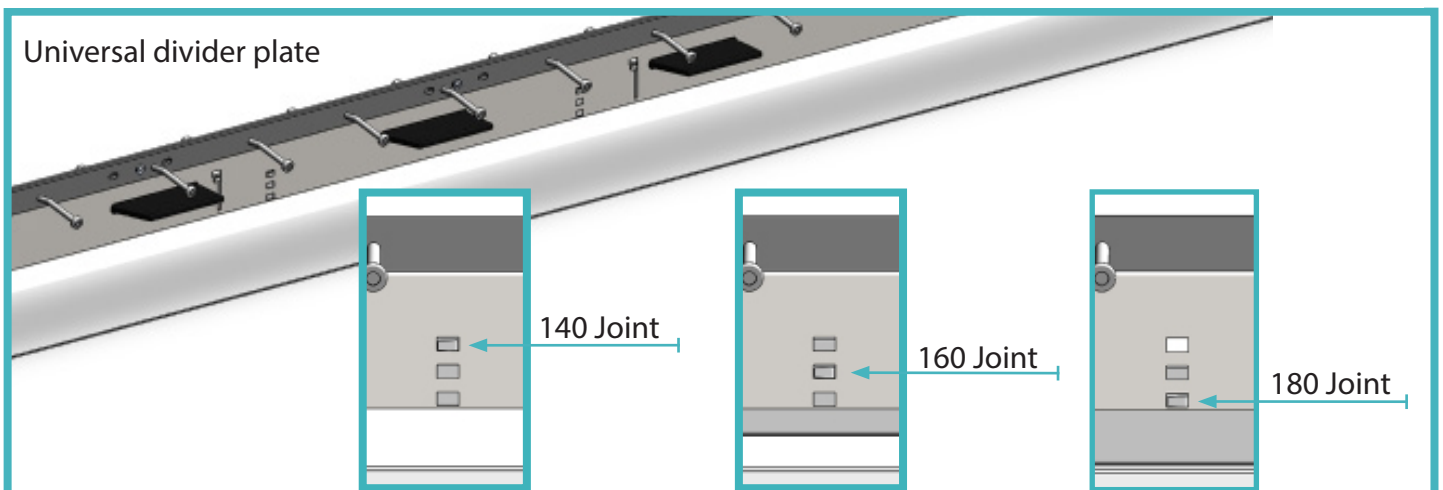


Note; Check the joint is level in the 3 positions above.

Note; Joints must be fixed at 90°.

05 Adjust universal divider plate

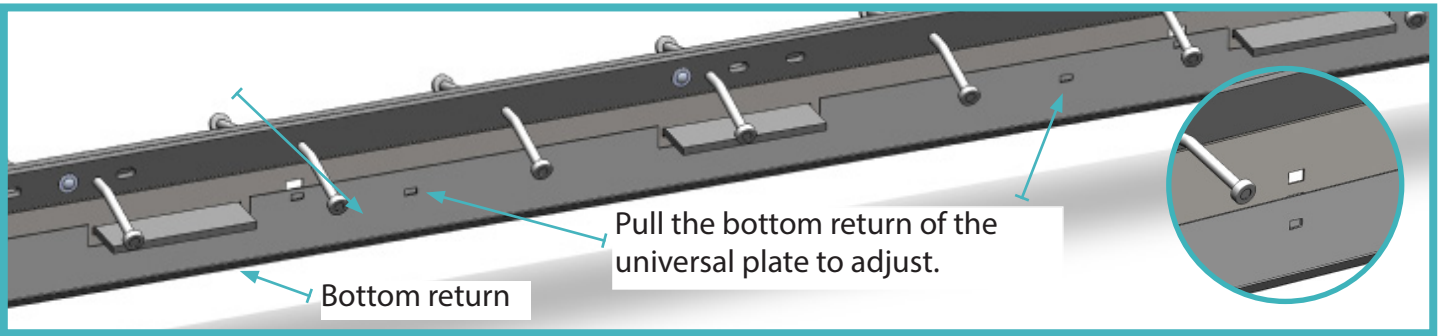
To extend the universal divider plate, pull out, push down and insert.



Permaban AlphaJoint Installation Guide

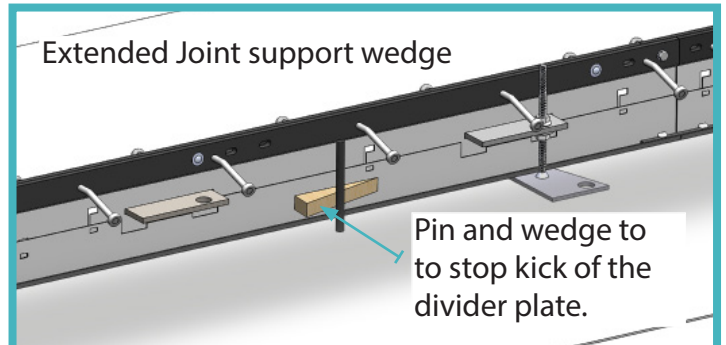
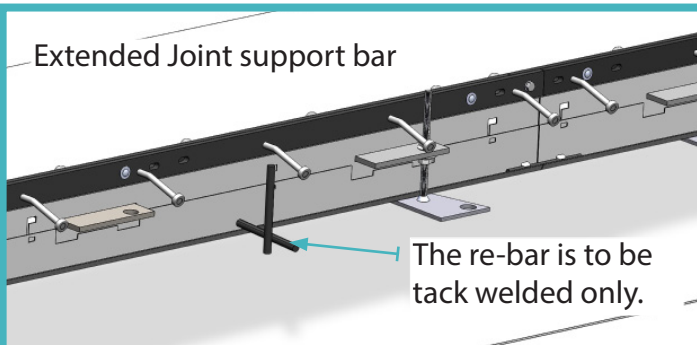
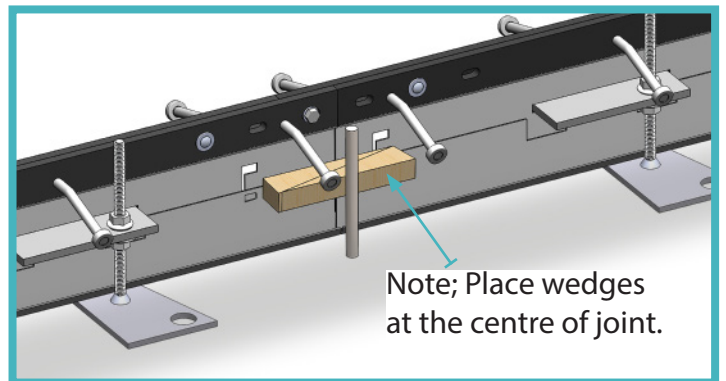
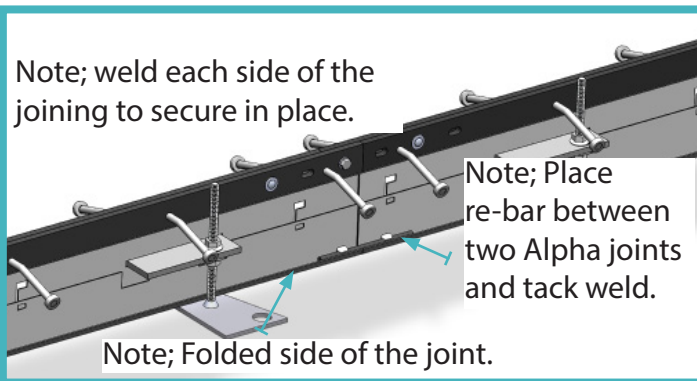
Using AlphaFeet Method

Installation Guide Issue V4.0
12/01/21



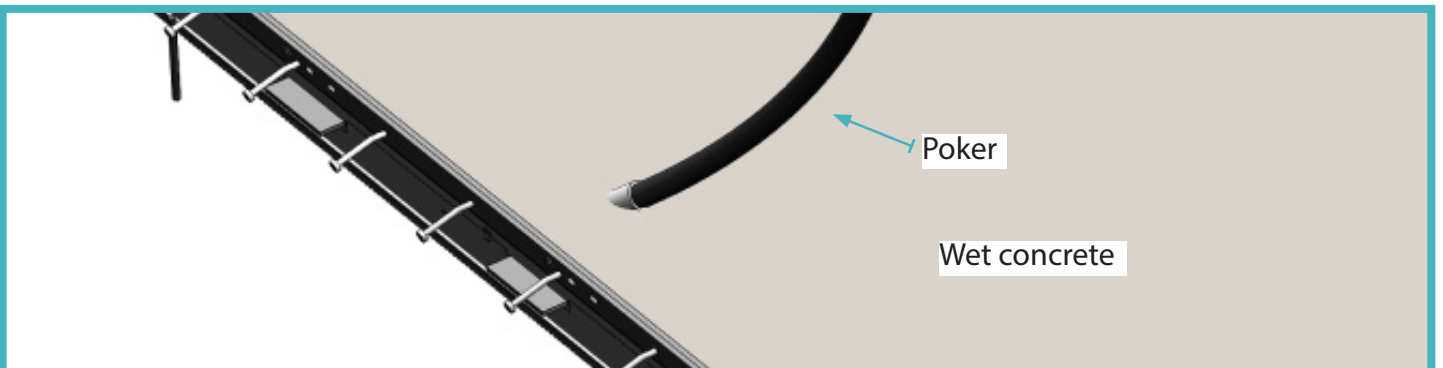
06 Support bars / Wedges

This method gives good support to the adjustable divider plate after its been adjusted.



07 Vibrate Concrete

Poker vibrate along length of the joint to compacted concrete.



08 Finish

Finish concrete, flush to top of the armoured joint ensuring the rail is clearly viable.