

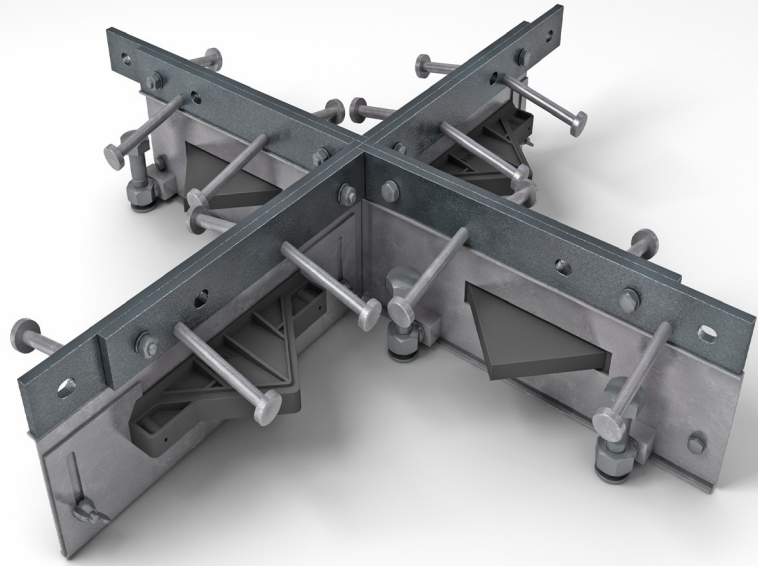
# Alpha® 4010 4-Way

Specification Sheet

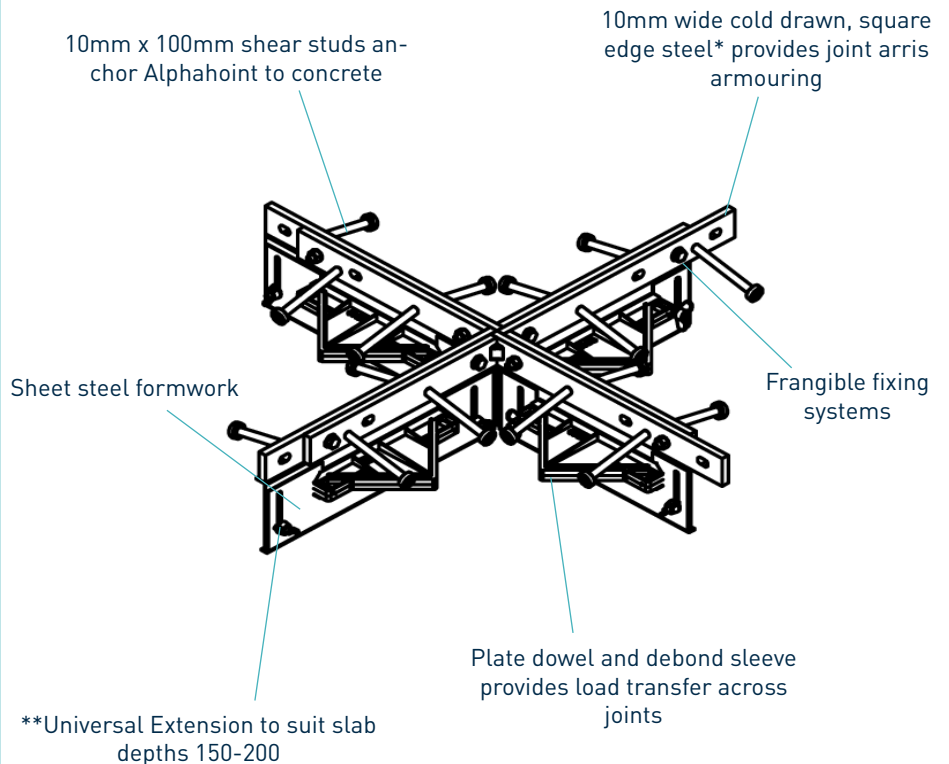
Issue 1.4

01/03/2021

Alpha® 4010 4-Way



Alpha® 4010 4-Way



\* Also available in electro-galvanised steel and stainless steel  
\*\* Other fixed heights are available

# Alpha® 4010 4-Way

Specification Sheet Issue 1.4  
01/03/2021

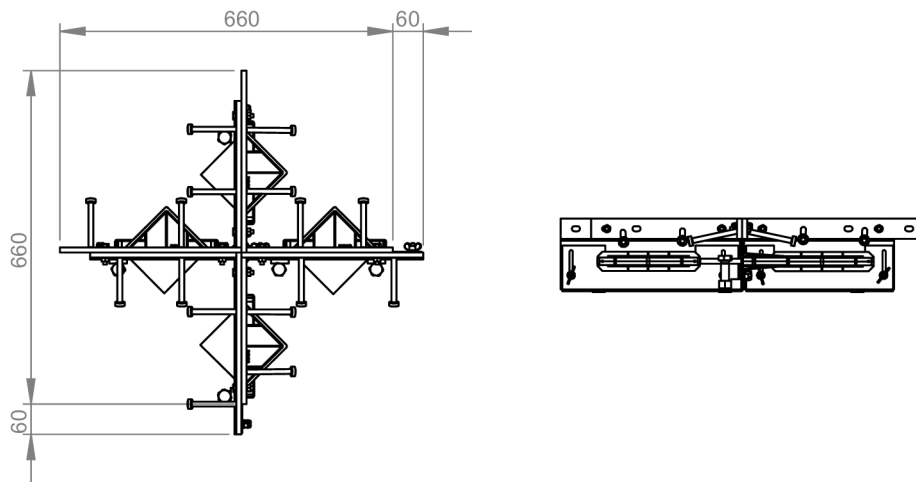
## manufacturing tolerances

**Length** ±2.0mm

**Height** ±1mm

**Straightness** ±0.5mm/600mm

## dimensions of Alpha® 4010 4-Way



Dimensions in mm

## dimensions and weight of Alpha® 4010 4-Way

| Accessory | Width (mm) | Length (mm) | Single Weight (kg) | Number Per Bundle | Bundle Weight (kg) |
|-----------|------------|-------------|--------------------|-------------------|--------------------|
| 4-Way     | 720        | 720         | 17                 | 14                | 270                |

Typical height and length values shown only.

## materials

| Component                    | Material                    |
|------------------------------|-----------------------------|
| Joint arris armouring (4010) | EN 10277-1:2018 S235JRC     |
| Sheet steel formwork         | BS EN 1030:2006 DC01        |
| Shear stud                   | EN ISO 13918 :2017 S235J2   |
| Plate dowel                  | BS EN 10025-2:2004 S275JRG2 |
| Plate dowel sleeve           | HDPP                        |