

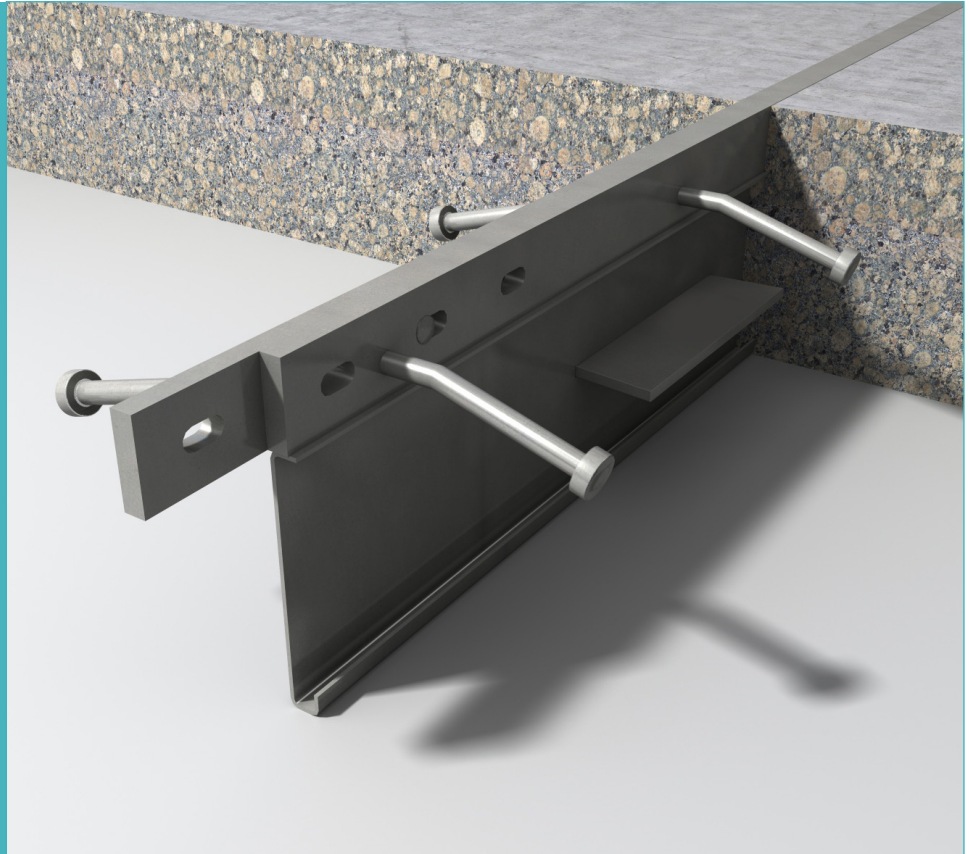
AlphaJoint® Classic 4010

Specification Sheet

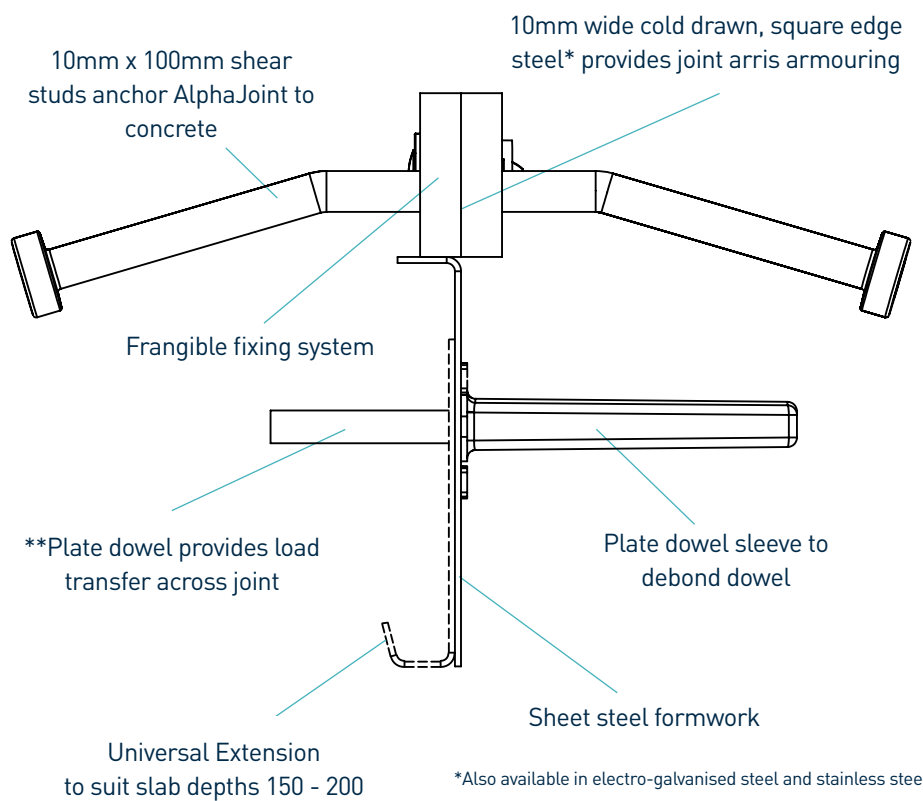
Issue 6.1

01/03/2021

AlphaJoint® Classic 4010



AlphaJoint® Classic 4010



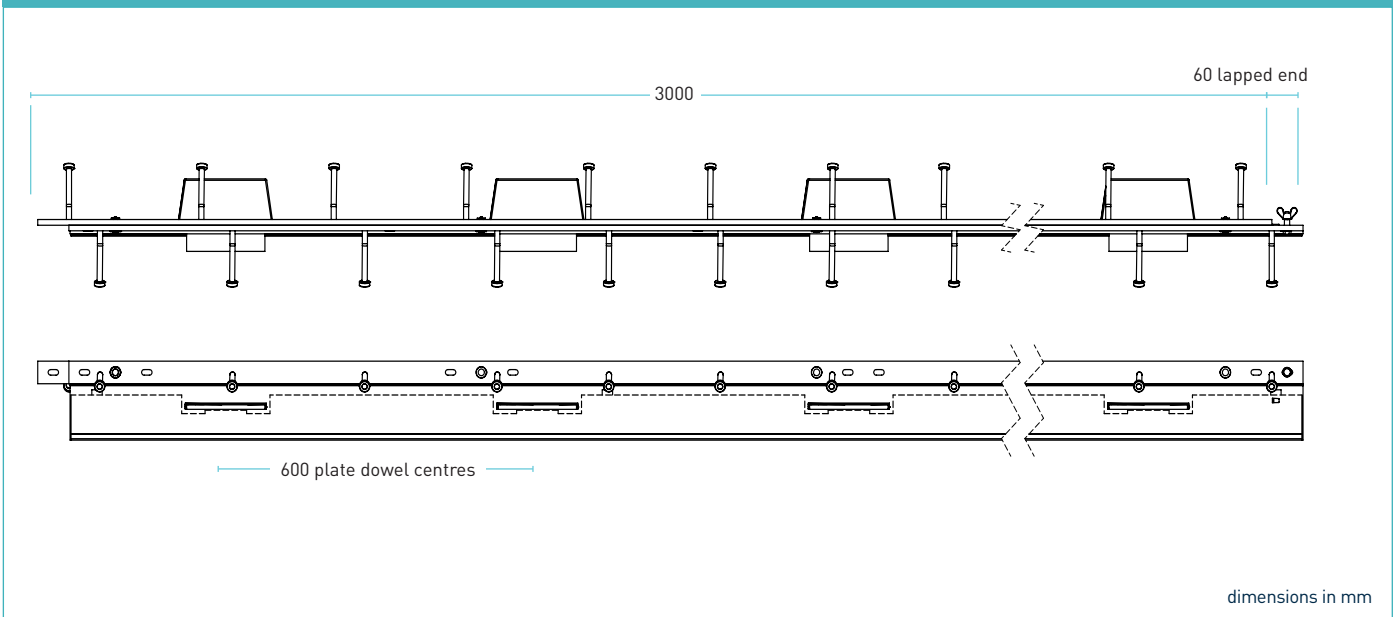
AlphaJoint® Classic 4010

Specification Sheet Issue 6.1
01/03/2021

manufacturing tolerances

Length	±2.0mm	Height	±1mm	Straightness	±0.5mm/600mm
---------------	--------	---------------	------	---------------------	--------------

dimensions of AlphaJoint® Classic 4010



dimensions and weight of AlphaJoint® Classic 4010

Nominal Slab Depth (mm)	Joint Height, h (mm)	Dowel Size (mm)	Dowel Centres (mm)	Length (mm)	Single Joint Weight (kg)	Number Per Bundle	Bundle Weight (kg)
150 - 200	140 - 190	151 x 120 x 8	600	3000	33.0	42	1485.0
220	200				35.0	35	1451.0
240	225				36.0	35	1493.4

Typical height and length values shown only. Weight values shown are based on AlphaJoint® Classic 4010 including TD8 dowels and are approximate.

materials

Component	Material
Joint arris armouring (4010)	EN 10277-1:2018 S235JRC
Sheet steel formwork	BS EN 1030:2006 DC01
Shear stud	EN ISO 13918 :2017 S235J2
Plate dowel	BS EN 10025-2:2004 S275JRG2
Plate dowel sleeve	HDPP

AlphaJoint® Classic 4010

Specification Sheet Issue 6.1
01/03/2021

theoretical calculated ultimate loads at failure of dowel or concrete

(For typical slabs, 40N/mm² concrete and 20mm joint opening)

		Unreinforced Slab	
Slab Depth (mm)	Dowel Type	Bursting (kN/m)	Bending (kN/m)
Universal Divider Plate to Suit 150 - 200	TD6	35.7	53.4
	TD8	35.7	87.2
	TD10	35.7	124.7
225	TD6	60.7	53.4
	TD8	60.7	87.2
	TD10	60.7	124.7
250	TD6	72.4	53.4
	TD8	72.4	87.2
	TD10	72.4	124.7

Ultimate load (kN/m)

This table shows the load at failure in bursting (failure of the concrete) and bending (failure of the dowel) for a joint opening of 20mm - larger joint openings can be accommodated. The ultimate load has been calculated in accordance with TR34 4th Edition. Dowel positions taken at mid depth of slab. For more detailed analysis please contact RCR Flooring Products Ltd.

*All design calculations should be verified by a suitably qualified structural engineer.

compatible dowel systems

