

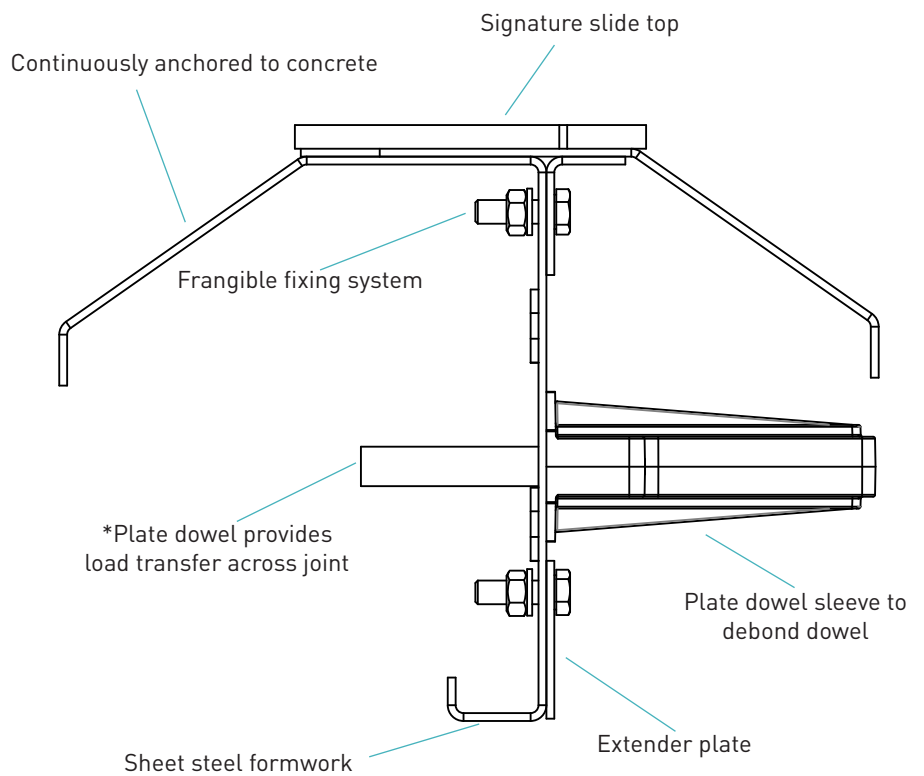
Permaban Signatureslide

Specification Sheet
Issue 1.8
01/03/2021

Permaban Signatureslide



Permaban Signatureslide



*Dowels available in thicknesses of 8mm and 10mm
** Also available in electro-galvanised steel and stainless steel

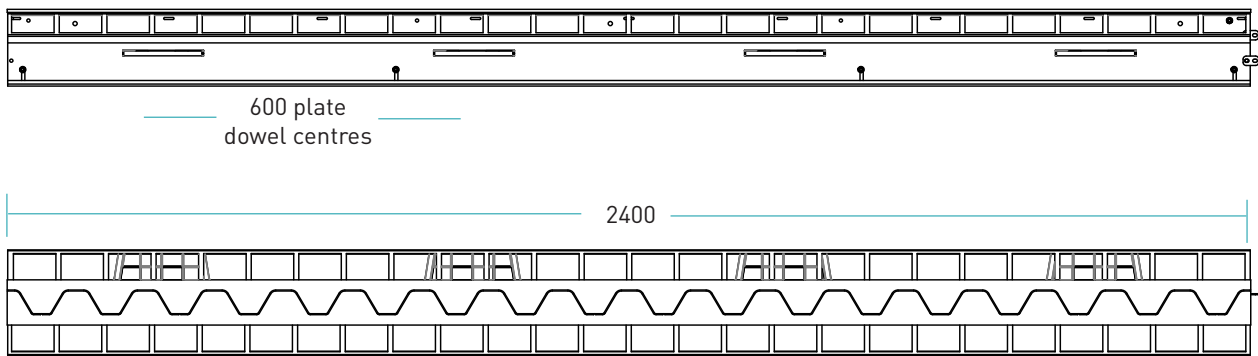
Permaban SignatureSlide

Specification Sheet Issue 1.8
01/03/2021

manufacturing tolerances

| | | | | | |
|---------------|--------|---------------|------|---------------------|--------------|
| Length | ±2.0mm | Height | ±1mm | Straightness | ±0.5mm/600mm |
|---------------|--------|---------------|------|---------------------|--------------|

dimensions of Permaban SignatureSlide



dimensions in mm

dimensions and weight of Permaban SignatureSlide

| Nominal Slab Depth (mm) | Joint Height, h (mm) | Dowel Size (mm) | Dowel Centres (mm) | Length (mm) | Single Joint Weight (kg) | Number Per Bundle | Bundle Weight (kg) |
|-------------------------|----------------------|-----------------|--------------------|-------------|--------------------------|-------------------|--------------------|
| 150 | 130 | 151 x 120 x 10 | 600 | 2400 | 29.47 | 40 | 1299 kg |
| 170 | 150 | | | | 30.47 | 32 | 1095 kg |
| 200 | 180 | | | | 34.47 | 32 | 1127 kg |

Typical height and length values shown only. Weight values shown are based on Permaban SignatureSlide including TD10 and TD8 dowels and are approximate.

materials

| Component | Material |
|-----------------------|---------------------------|
| Joint arris armouring | EN 10277-1:2018 S235JRC |
| Sheet steel formwork | EN 10130: 2006 DC01 |
| Plate dowel | BS EN 10025-2:2004 S275JR |
| Plate dowel sleeve | HDPP |

Permaban SignatureSlide

Specification Sheet Issue 1.8
01/03/2021

theoretical calculated ultimate loads at failure of dowel or concrete

| (for typical slabs, 40N/mm ² concrete and 200mm joint opening) | | Unreinforced Slab | |
|---|------------|-------------------|-----------------|
| Slab Depth (mm) | Dowel Type | Bursting (kN/m) | Bearing/Bending |
| 150 | TD8 | 31.2 | 87.2 |
| | TD10 | 31.2 | 124.7 |
| 175 | TD8 | 40.0 | 87.2 |
| | TD10 | 40.0 | 124.7 |
| 200 | TD8 | 49.9 | 87.2 |
| | TD10 | 49.9 | 124.7 |
| 225 | TD8 | 60.7 | 87.7 |
| | TD10 | 60.7 | 124.7 |
| 250 | TD8 | 72.4 | 87.7 |
| | TD10 | 72.4 | 124.7 |
| 275 | TD8 | 85.6 | 87.7 |
| | TD10 | 85.6 | 124.7 |
| 300 | TD8 | 86.9 | 87.7 |
| | TD10 | 86.9 | 124.7 |

Ultimate load (kN/m)

Permaban joints are compatible with all grades of concrete in accordance with EN206. This table shows the load at failure in bursting (failure of the concrete) and bending (failure of the dowel) for a joint opening of 20mm - larger joint openings can be accommodated. The ultimate load has been calculated in accordance with TR34 4th Edition. Dowel position taken at mid depth of slab. For more detailed analysis please contact RCR Flooring Products Ltd.

*All design calculations should be verified by a suitably qualified structural engineer.

