

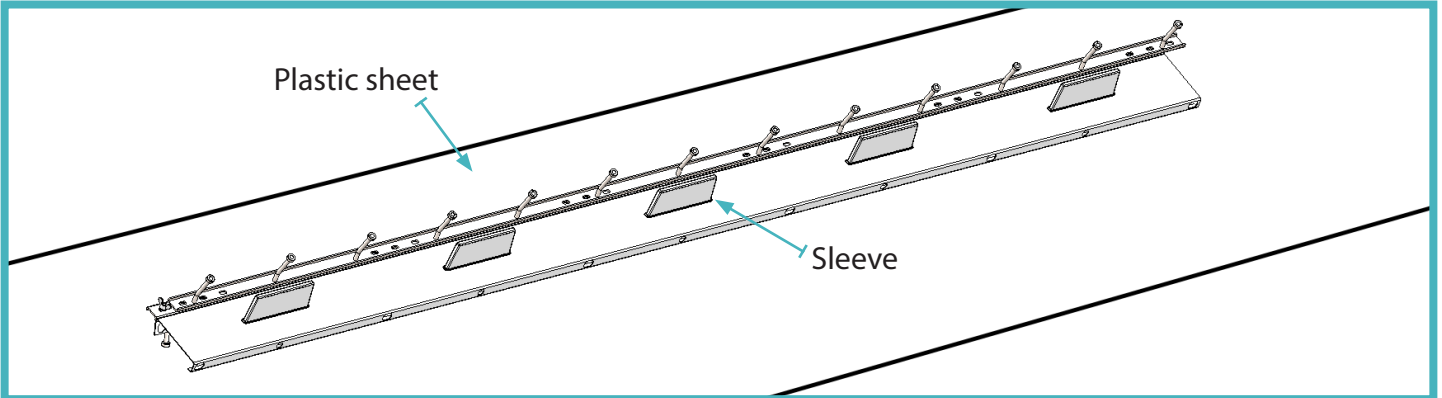
# Permaban AlphaJoint Installation Guide

## Using AlphaFeet Method

Installation Guide Issue V1.0  
05/10/21

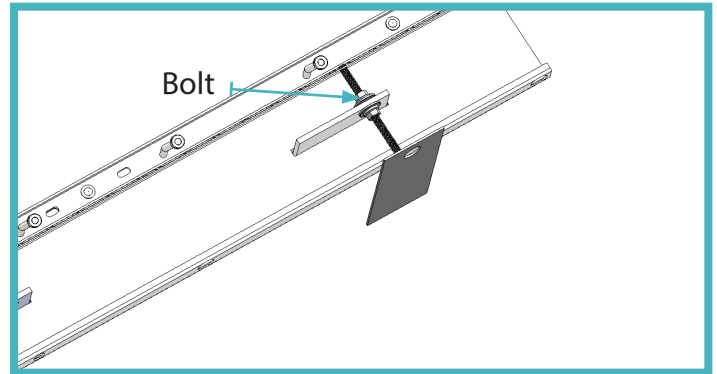
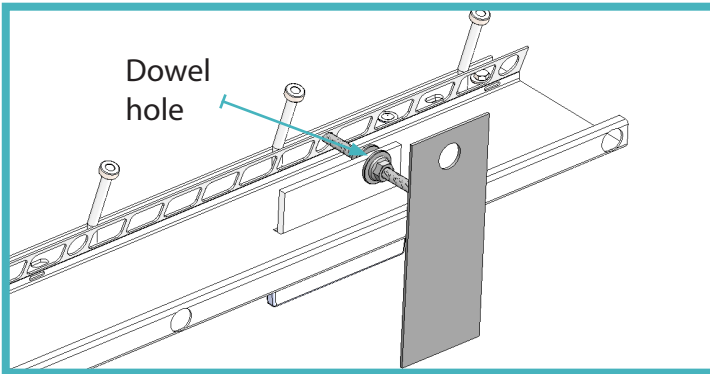
### 01 Placing the AlphaJoint

Place joints on the floor with sleeves pointing up.



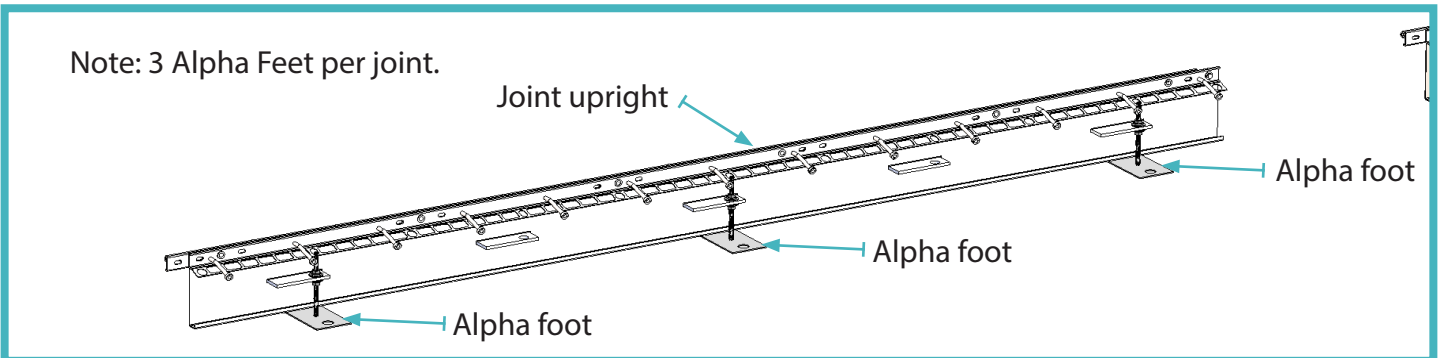
### 02 Insert 3 AlphaFeet per Joint

Tilt the Joint and insert the AlphaFoot through the hole of the dowel, then screw on the bolt to secure in place.



Once the steel bolt is secure, pull joint towards you and stand the Joint upright.

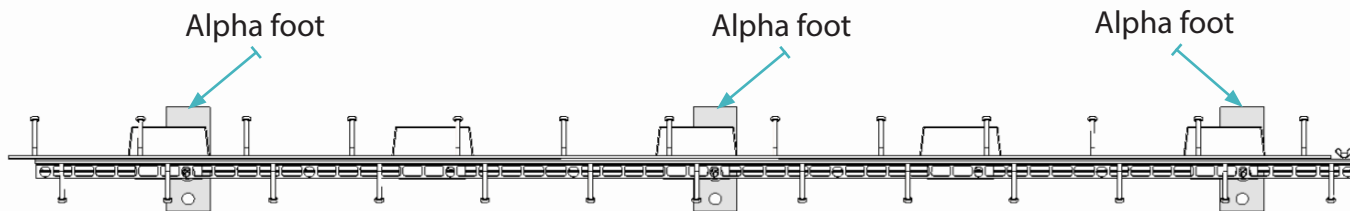
Note: 3 Alpha Feet per joint.



# Permaban AlphaJoint Installation Guide

## Using AlphaFeet Method

Installation Guide Issue V1.0  
05/10/21

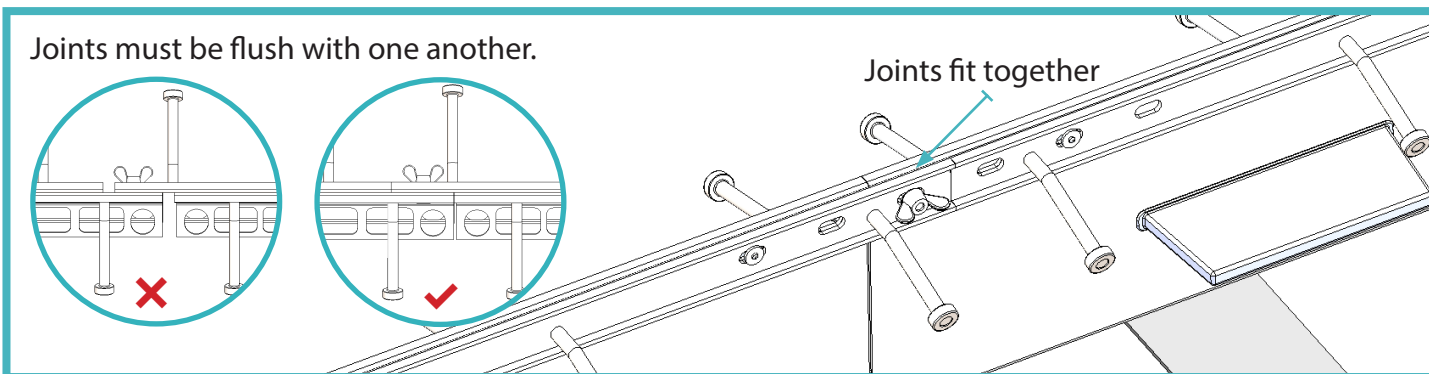
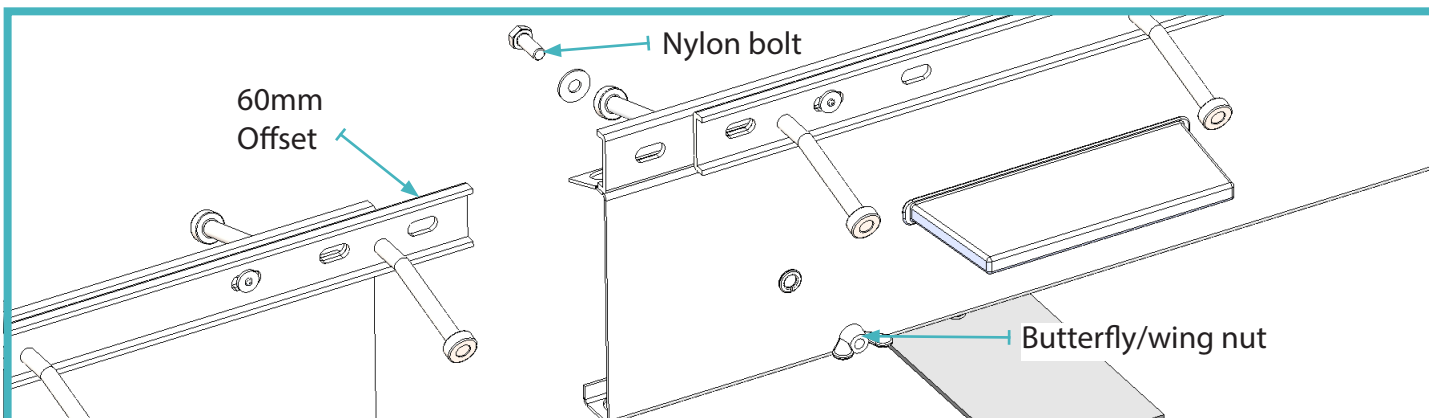


Note: Ideal placement for the feet as shown above

### 03 Fix joints together

Position joints end to end, unscrew the wing nut and nylon, push the 60mm offsets together and re-assemble.

Note: The 4010 top strip may move laterally during transit and require minor realignment during installation.



# Permaban AlphaJoint Installation Guide

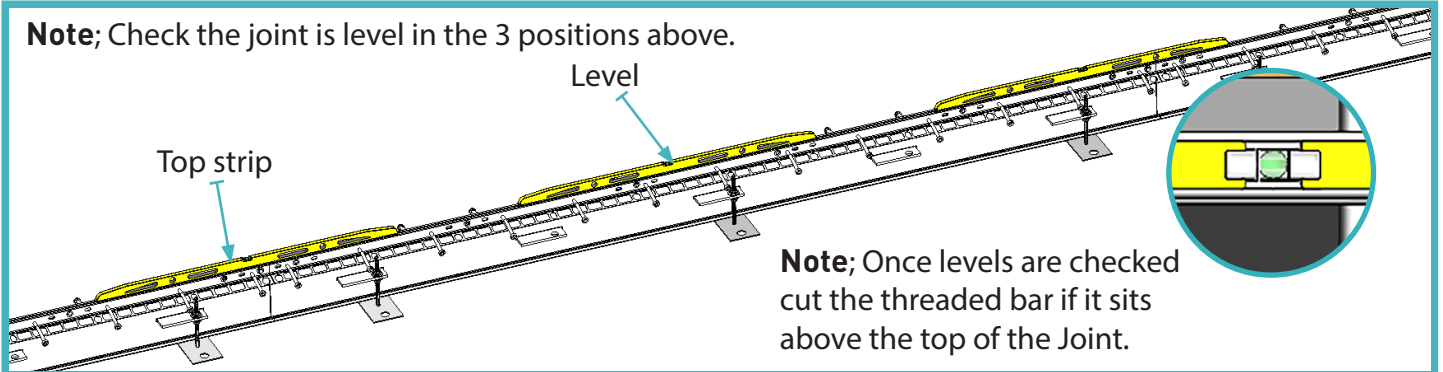
## Using AlphaFeet Method

Installation Guide Issue V1.0  
05/10/21

### 04 Adjust to Height

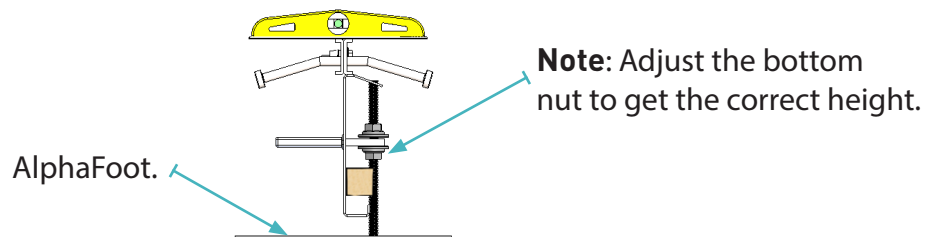
Use the bolts on the AlphaFoot to set the height of the Joint. Then check the Joint is level with a spirit level/ optical level.

**Note;** Check the joint is level in the 3 positions above.



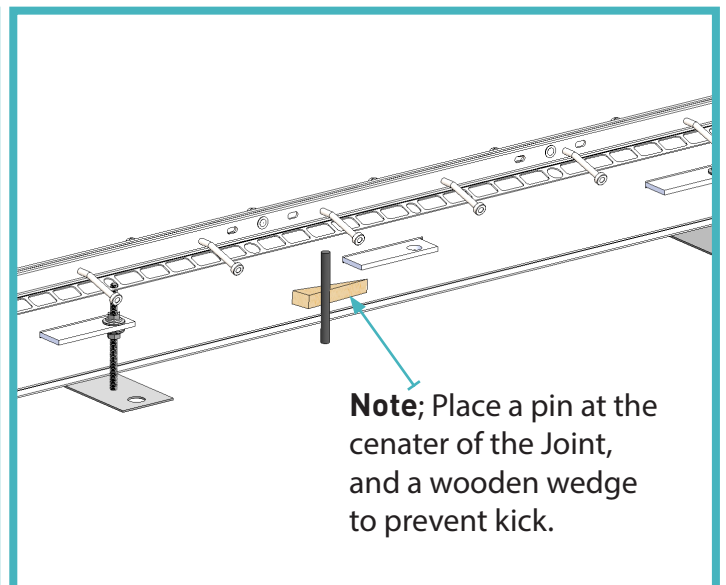
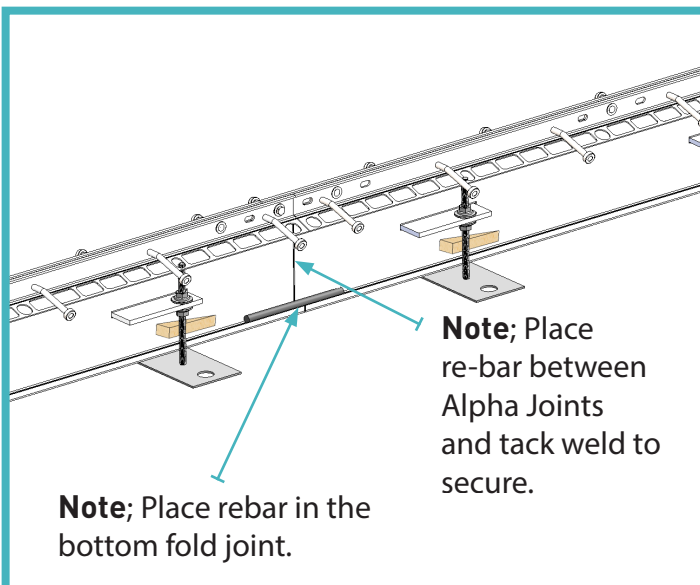
Measure the vertical and horizontal level using the top strip.

**Note;** Joints must be fixed at 90°.



### 05 Support bars / Wedges

This method gives good support to the Joint and helps to prevent kick.



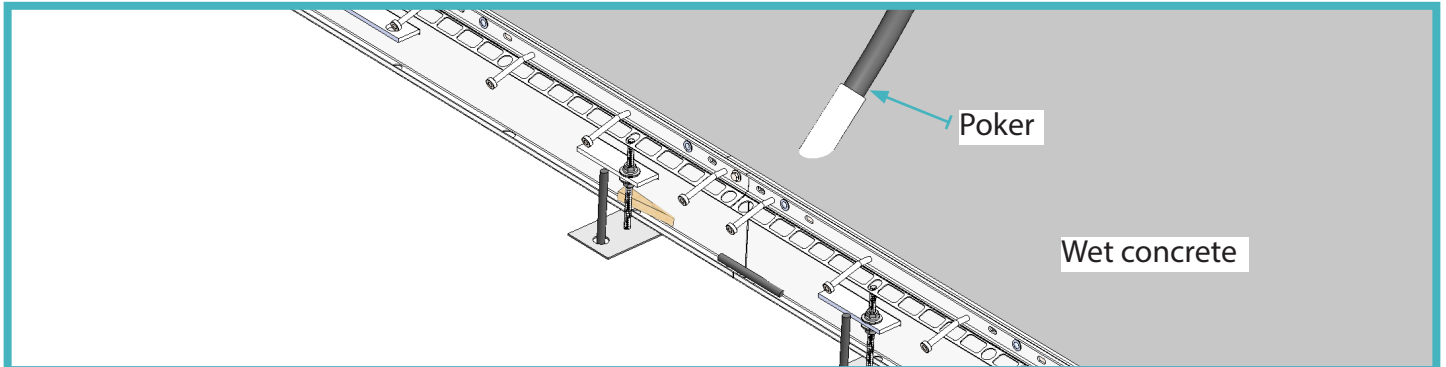
# Permaban AlphaJoint Installation Guide

## Using AlphaFeet Method

Installation Guide Issue V1.0  
05/10/21

### 06 Vibrate Concrete

Poker vibrate along length of the joint to compact the concrete.



### 07 Finish

Finish concrete, flush to top of the armoured joint ensuring the rail is clearly viable.