

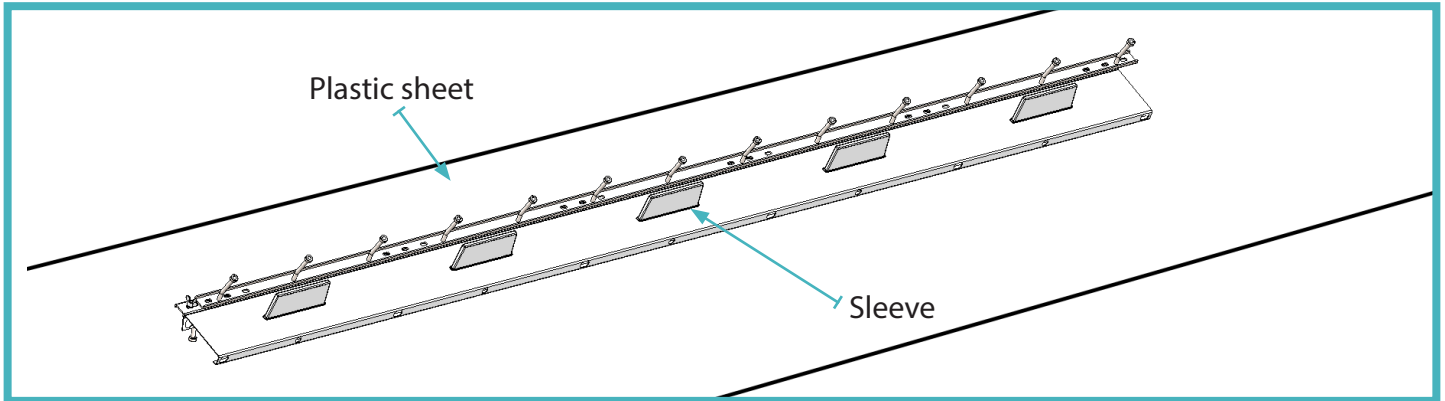
Permaban AlphaJoint Installation Guide

Using AlphaFix Method

Installation Guide Issue V2.0
23/11/21

01 Placing the AlphaJoint

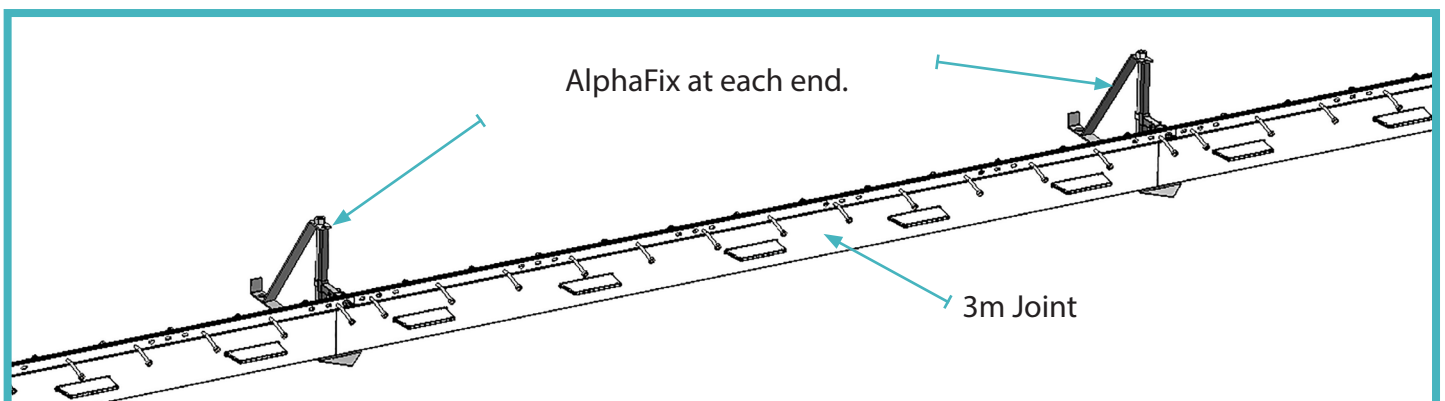
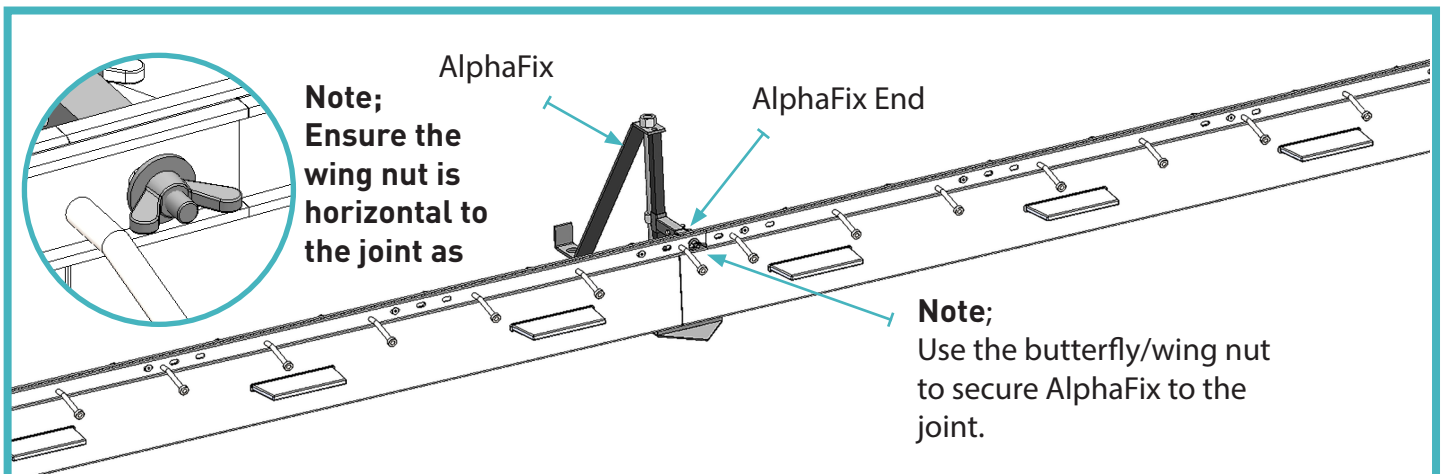
Place joints on the floor with sleeves pointing up.



02 Assemble Joint to AlphaFix

Insert the AlphaFix at the joining holes.

Note;
The 4010 top strip may move laterally during transit and require minor realignment during installation.



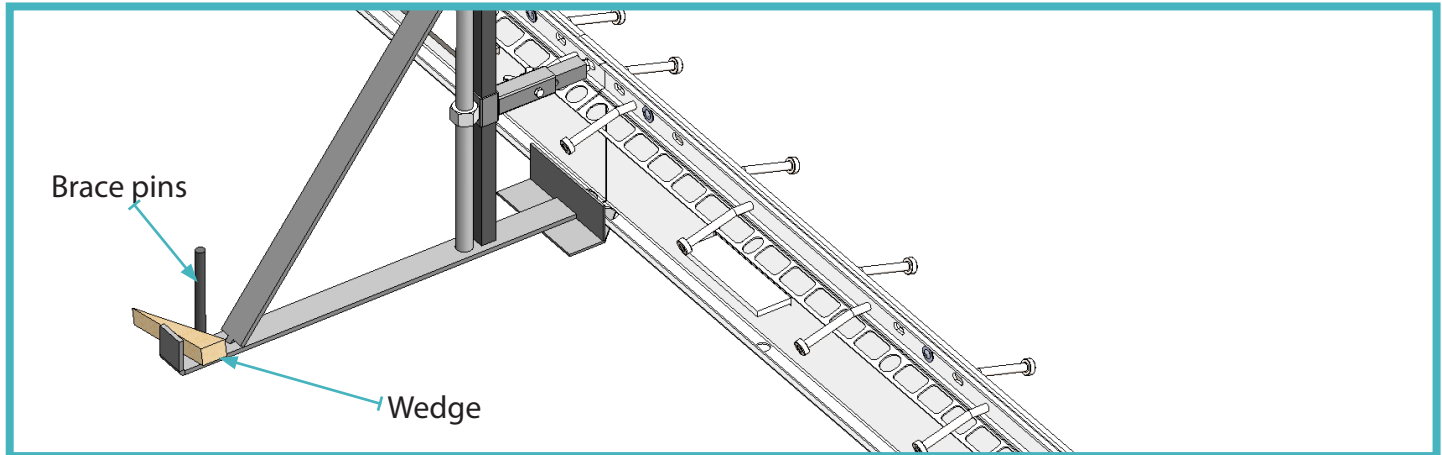
Permaban AlphaJoint Installation Guide

Using AlphaFix Method

Installation Guide Issue V2.0
23/11/21

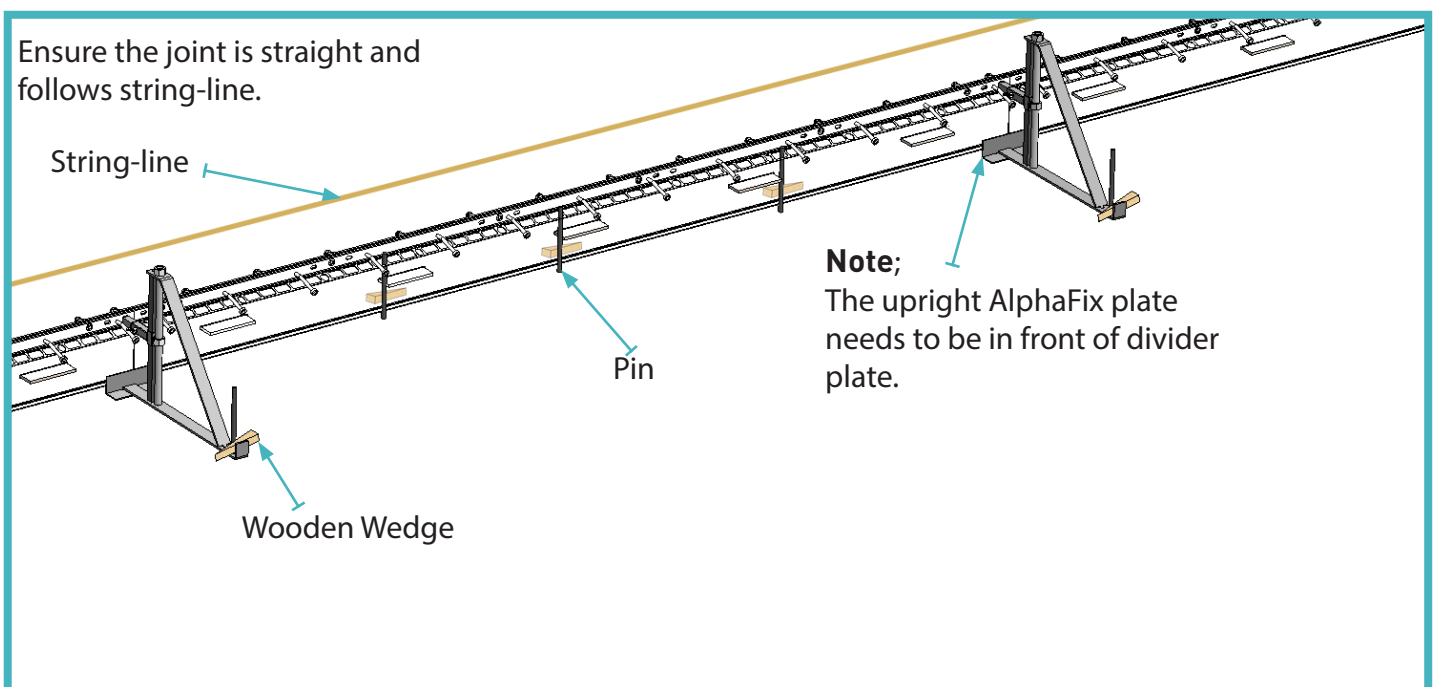
03 Brace the Joint through AlphaFix Hole

Use a Pin secure AlphaFix in position, then a wedge to fix it in place.



04 Pin and Wedging

Use 3 pins and 3 wedges per joint.



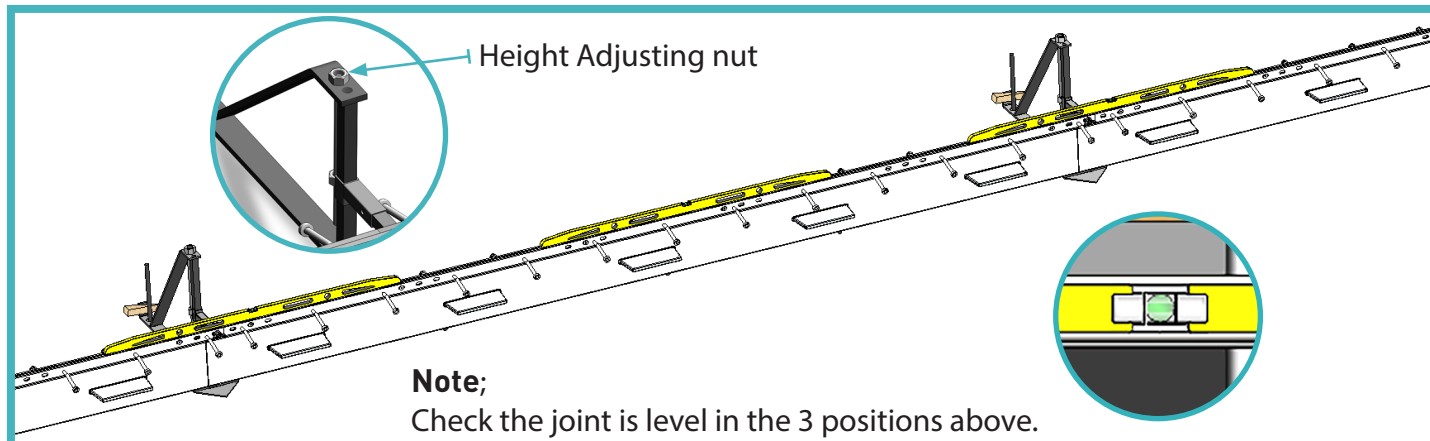
Permaban AlphaJoint Installation Guide

Using AlphaFix Method

Installation Guide Issue V2.0
23/11/21

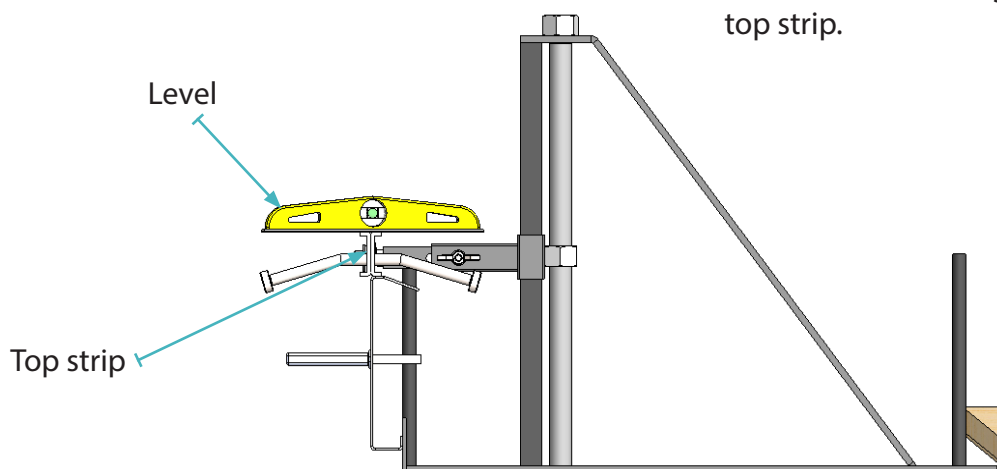
05 Adjust to Height

Check height is correct, adjust the 30mm nut on top of the AlphaFix to achieve height required, ensuring the joint is level using a spirit level/optical level.



Note;
Joints must be fixed at 90°.

Note;
Measure the vertical and horizontal level using the top strip.



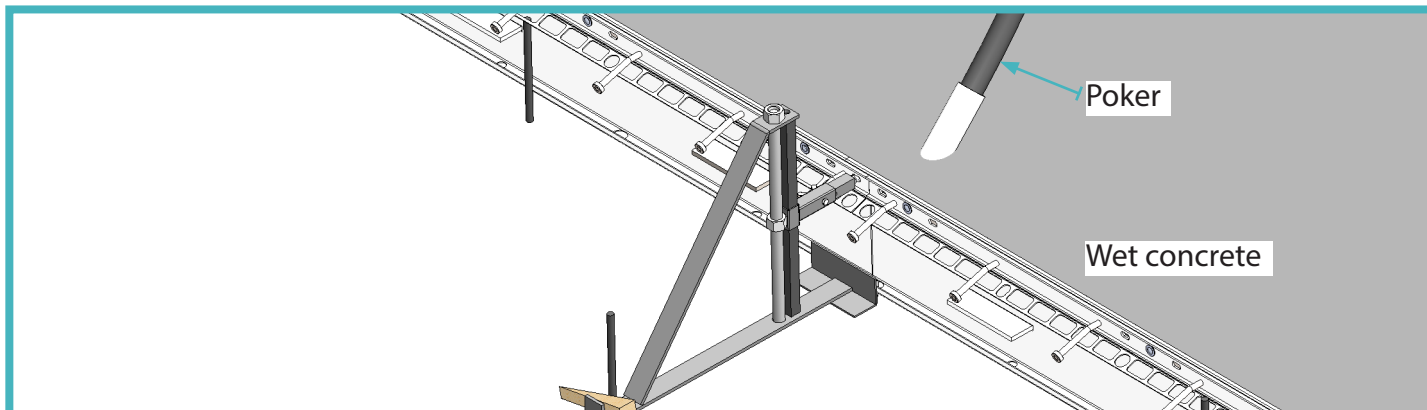
Permaban AlphaJoint Installation Guide

Using AlphaFix Method

Installation Guide Issue V2.0
23/11/21

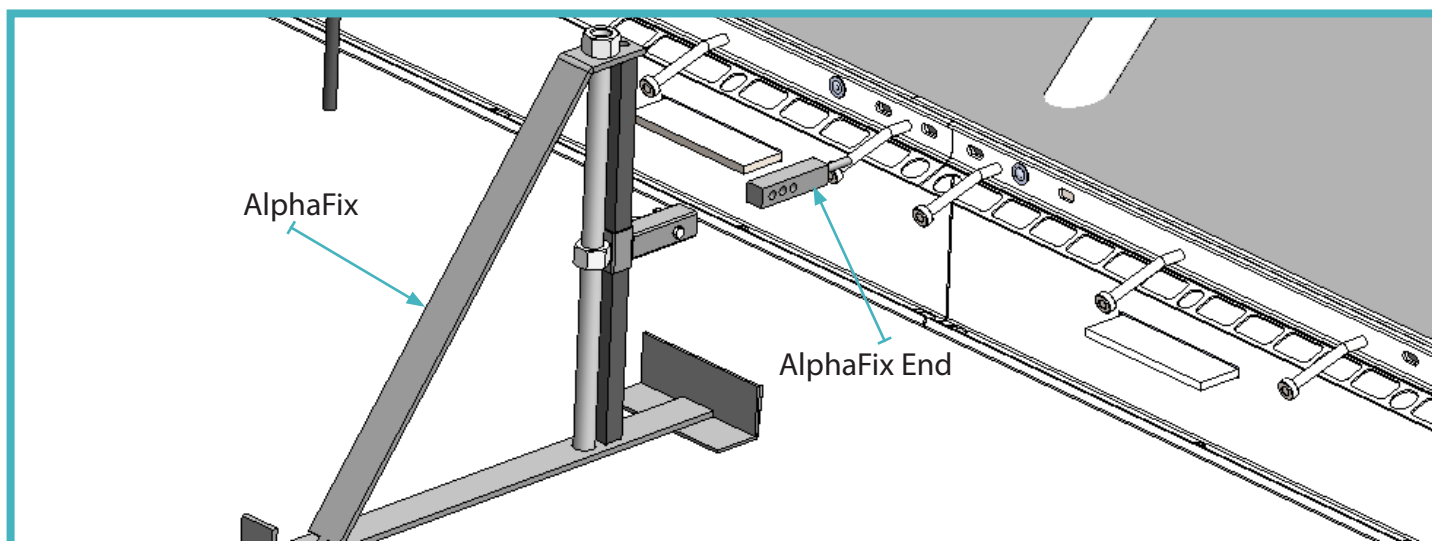
06 Vibrate Concrete

Poker vibrate along length of the joint to compacted concrete.



07 Remove AlphaFix

Once the concrete is set, remove AlphaFix body from the AlphaFix End by unscrewing bolt through the 20x20 box. Then unscrew the AlphaFix End from the joint.



08 Finish

Finish concrete, flush to top of the armoured joint ensuring the rail is clearly viable.