

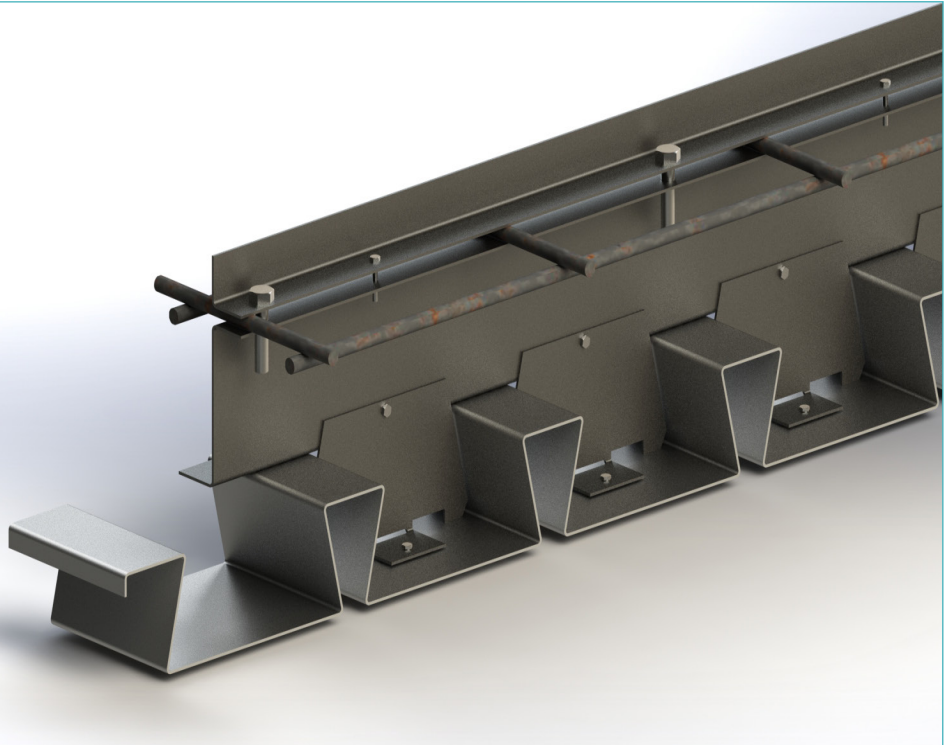
# Permadeck Type 1<sup>®</sup>

Specification Sheet

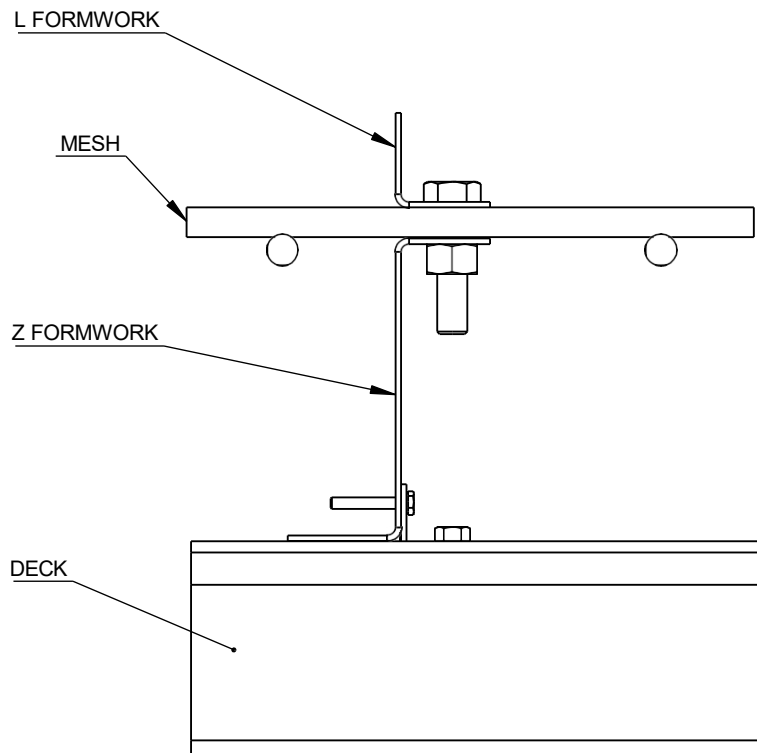
Issue 1.0

20/01/2025

Permadeck Type 1<sup>®</sup>



Permadeck Type 1<sup>®</sup>



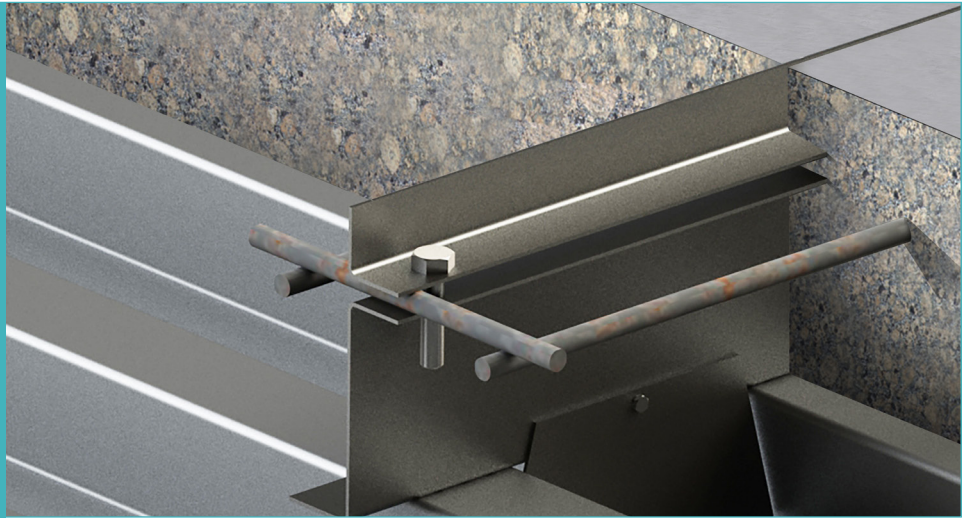
# Permadeck Type 1<sup>®</sup>

Specification Sheet

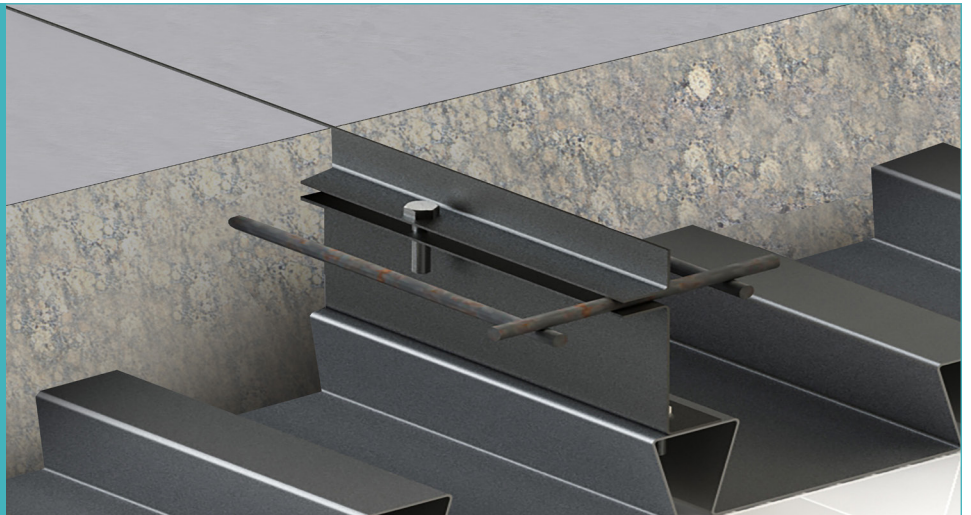
Issue 1.0

20/01/2025

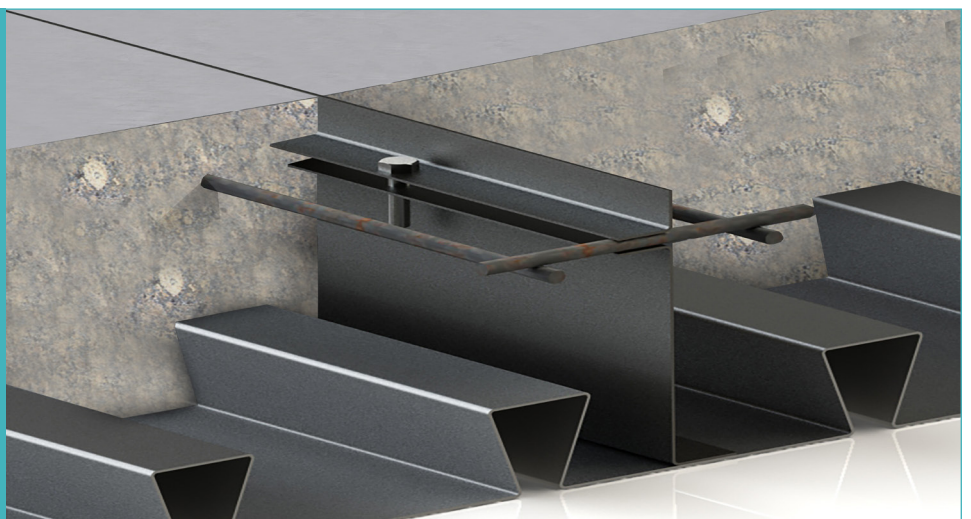
Permadeck Type 1<sup>®</sup> Perpendicular



Permadeck Type 1<sup>®</sup> Peak



Permadeck Type 1<sup>®</sup> Trough



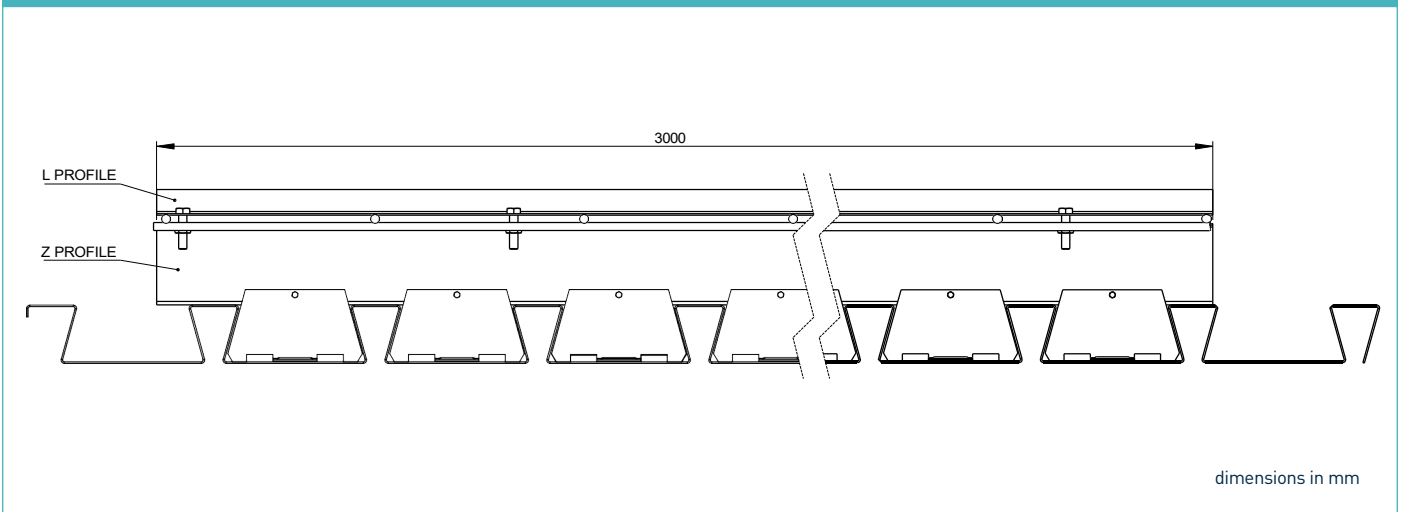
# Permadeck Type 1®

Specification Sheet Issue 1.0  
20/01/2025

## manufacturing tolerances

<b>Length</b>	±2.0mm	<b>Height</b>	±1mm	<b>Straightness</b>	±0.5mm/600mm
---------------	--------	---------------	------	---------------------	--------------

## dimensions of Permadeck Type 1®



## materials

Component	Material
Sheet steel formwork	EN 10130 : 2006 DC01

This deck joint is a new, easy to use, unique system, which provides formwork for use on metal decking. This is a leave-in-place system which eliminates the need to strip out timber and foam the following day. It provides a more professional finish to joints on deck and a concise detail for engineers to place on their drawings. It also allows for a continuity of the mesh reinforcement through its design. It is suitable for all manufacturers and deck, as the deck inserts are interchangeable to suit the deck profile.